

4K Ultra-HD LightHunter WDR Network Box Camera

IPC568EB-DGK-I0



Key Features



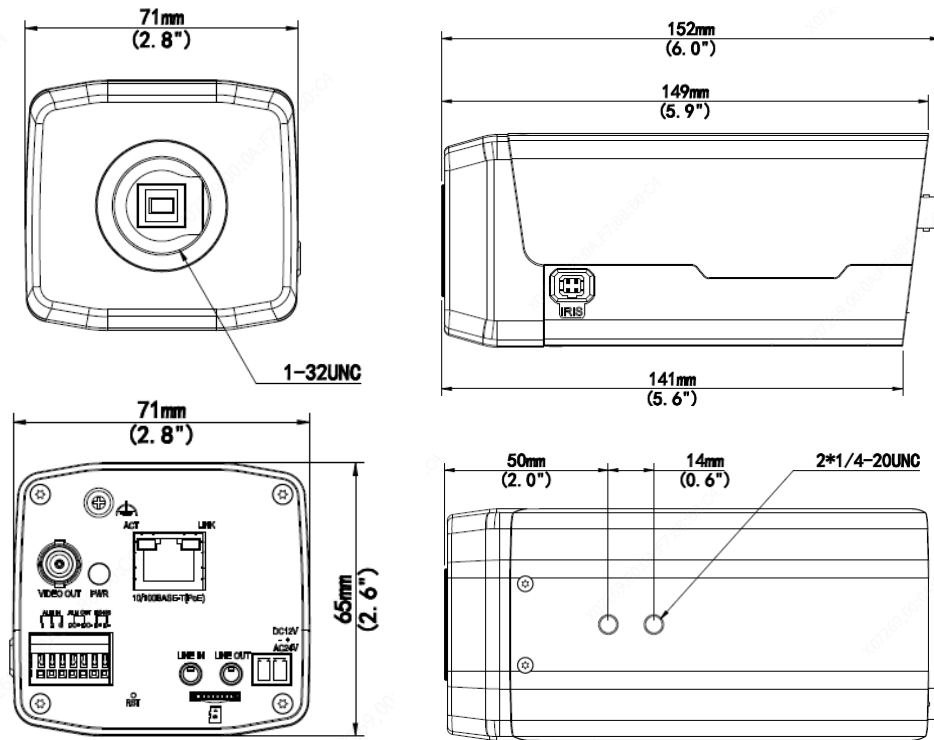
- High quality image with 8MP, 1/1.8" CMOS sensor
- 3840*2160@30fps in the main stream
- Ultra 265, H.265, H.264, MJPEG
- LightHunter technology ensures ultra-high image quality in low illumination environment
- Up to 120 dB Optical WDR (Wide Dynamic Range)
- Support high-precision motorized lens for accurate zoom & focus
- DC12V or AC24V or PoE (IEEE 802.3af) power supply
- Audio 1 in and 1 out, Alarm 2 in and 1 out
- Support optical interface & network interface serial connection, reduce the cost of wiring

Specifications

	IPC568EB-DGK-I0
Camera	
Sensor	1/1.8", 8.0 megapixel, progressive scan, CMOS
Min. Illumination	Colour:0.002lux (F1.2, AGC ON) B/W: 0.0002Lux(F1.2, AGC ON)
Day/Night	IR-cut filter with auto switch (ICR)
Shutter	Auto/Manual, 1 ~ 1/100000s
WDR	120dB
S/N	>56dB
ABF	Support
Lens	
Lens Mount	C/CS
Iris	DC-Iris/P-Iris, DC 5V (4 Pins)
Video	
Video Compression	Ultra 265, H.265, H.264, MJPEG
Frame Rate	Main Stream: 8MP (3840*2160), Max 30fps in Frame Rate Priority mode; Max 20fps in Smart Priority mode; Sub Stream: 2MP (1920*1080), Max 30fps; Third Stream: D1 (720*576), Max 30fps
Video Bit Rate	128 Kbps~16 Mbps
U-code	Support
ROI	Up to 8 areas
Video stream	Triple streams
OSD	Up to 8 OSDs
Privacy Mask	Up to 4 areas per scene
Image	
White Balance	Auto/Outdoor/Fine Tune/Sodium Lamp/Locked/Auto2
Digital noise reduction	2D/3D DNR
Flip	Normal/Flip Vertical/Flip Horizontal/180°
HLC	Support
BLC	Support
Defog	Optical Defog & Digital Defog
Events	
General Function	Watermark, IP Address Filtering, Alarm input, Alarm output, Access Policy, ARP Protection, RTSP Authentication, User Authentication
Audio	
Audio Compression	G.711U, G.711A
Audio Bitrate	64 Kbps
Two-way Audio	Support
Suppression	Support
Sampling Rate	8KHz
Storage	
Edge Storage	Micro SD, up to 256 GB
Network Storage	ANR,NAS(NFS)
Network	
Protocols	IPv4, IGMP, ICMP, ARP, TCP, UDP, DHCP, PPPoE, RTP, RTSP, RTCP, DNS, DDNS, NTP, FTP, UPnP, HTTP, HTTPS, SMTP, 802.1x, SNMP, QoS, RTMP,SSL/TLS

Compatible Integration	ONVIF (Profile S, Profile G, Profile T), API,SDK
User/Host	Up to 32 users. 2 user levels: administrator and common user
Security	Password protection, strong password, HTTPS encryption, basic and digest authentication for RTSP, digest authentication for HTTP, TLS 1.2, WSSE and digest authentication for ONVIF
Client	EZStation EZLive EZView
Web Browser	Plug-in required live view: IE9+, Chrome 41 and below, Firefox 52 and below
Interface	
Audio I/O	1/1
Alarm I/O	2/1
Zoom/focus	Support
Serial Port	1 RS485
Built-in Mic	N/A
Built-in Speaker	N/A
Network	1*100M/1000M SFP+ 1*RJ45 10M/100M/1000M Base-TX Ethernet
Video Output	1 BNC
Certification	
EMC	FCC CFR 47 Part 15 EN 55032:2015 EN 55024:2010 EN 61000-3-2:2014 EN 61000-3-3-2013
Safety	IEC 62368-1 EN 62368-1 UL 62368-1
Environment	CE-ROHS (2011/65/EU;(EU)2015/863); WEEE (2012/19/EU); REACH (Regulation (EC) No 1907/2006)
General	
Power	DC12V(±25%), AC24V(±25%), PoE(IEEE 802.3af)
	Power consumption: Max 8.0W
Power Interface	Two-core terminal block
Dimensions (L x W x H)	152 x 71 x 65mm (6.0" x 2.8" x 2.6") (excluding the lens)
Weight	0.40kg (0.88lb)
Working Environment	-20°C ~ 60°C (-4°F ~ 140°F), Humidity: ≤95% RH (non-condensing)
Storage Environment	-40°C~70°C(-40°F ~ 158°F), Humidity: ≤95% RH (non-condensing)
Surge Protection	6KV
Vandal Resistant	N/A
Ingress Protection	N/A
Reset button	Support

Dimensions



Accessories

TR-WM06-C-IN



TR-UM06-A-IN



TR-UP06-IN



TR-UV06-A-IN



TR-WM06-I-IN



HS-217S-B-NB



HS-217SHB-IR-B-NB



HS-217SHB-B-NB



Wall mount (Indoor)	Pendent mount (Indoor)
TR-WM06-C-IN	TR-UM06-A-IN
	
Horizontal pole mount	Wall mount
HS-217S-B-NB/HS-217SHB-B-NB/HS-217SHB-IR-B-NB+ TR-UV06-A-IN+ TR-UP06-IN	HS-217S-B-NB/HS-217SHB-B-NB/HS-217SHB-IR-B-NB+ TR-WM06-I-IN
	

Zhejiang Uniview Technologies Co., Ltd.

Building No.10, Wanlun Science Park, Jiangling Road 88, Binjiang District, Hangzhou, Zhejiang, China (310051)

 Email: overseasbusiness@uniview.com; globalsupport@uniview.com
<http://www.uniview.com>

©2021 Zhejiang Uniview Technologies Co., Ltd. All rights reserved.

*Product specifications and availability are subject to change without notice