

4K Mini Fixed Bullet Network Camera

IPC2128LR3-DPF28(40)M-F



Key Features



Optics

- Day/night functionality
- Smart IR , up to 30 m (98 ft) IR distance
- Optical glass window with higher light transmittance
- IR anti-reflection window to increase the infrared transmittance
- 2D/3D DNR (Digital Noise Reduction)

Compression

- Ultra 265, H.265, H.264, MJPEG
- ROI (Region of Interest)

Network

- ONVIF Conformance

Structure

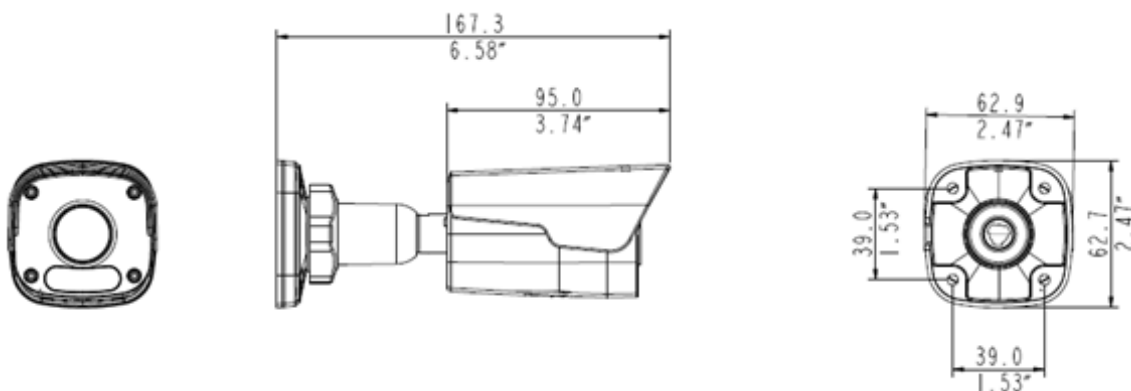
- Wide temperature range: -30°C to 60°C (-22°F to 140°F)
- Wide voltage range of $\pm 25\%$
- IP67
- 3-Axis

Specifications

	IPC2128LR3-DPF28M-F	IPC2128LR3-DPF40M-F			
Camera					
Sensor	1/3", 8.0 megapixel, progressive scan, CMOS				
Lens	2.8mm@F2.0		4.0mm@F2.0		
DORI Distance	Lens	Detect(m)	Observe(m)	Recognize(m)	Identify(m)
	2.8mm	84	33.6	16.8	8.4
	4.0mm	120	48	24	12
Angle of View (H)	112.7°		86.5°		
Angle of View (V)	60.1°		44.1°		
Angle of View (D)	146.5°		106.4°		
Adjustment angle	Pan: 0°~360°		Tilt: 0°~90°		Rotate: 0°~360°
Shutter	Auto/Manual, 1~1/100000 s				
Minimum Illumination	Colour: 0.05 Lux (F2.0, AGC ON) 0 Lux with IR on				
Digital noise reduction	2D/3D DNR				
Day/Night	IR-cut filter with auto switch (ICR)				
S/N	>56dB				
IR Range	Up to 30m (98 ft) IR range				
Wavelength	850nm				
IR On/Off Control	Auto/Manual				
Defog	Digital Defog				
WDR	120dB				
Video					
Video Compression	Ultra 265, H.265, H.264, MJPEG				
H.264 code profile	Baseline Profile, Main Profile				
Frame Rate	Main Stream:8MP (3840*2160): Max. 20 fps;5MP(2944*1656): Max. 30 fps; 4MP(2560*1440): Max. 30 fps; 2MP(1920*1080): Max. 30 fps Sub Stream:720P (1280*720): Max. 20 fps Third Stream:4CIF (704*576): Max. 20 fps				
Video Bit Rate	128 Kbps~16 Mbps				
OSD	Up to 4 OSDs				
Privacy Mask	Up to 4 areas				
ROI	Up to 2 areas				
Motion Detection	Up to 4 areas				
Image					
White Balance	Auto/Outdoor/Fine Tune/Sodium Lamp/Locked/Auto2				
Digital noise reduction	2D/3D DNR				
Smart IR	Support				
Flip	Normal/Vertical/Horizontal/180°				
Dewarping	NA				
HLC	Supported				
BLC	Supported				

Network	
Protocols	IPv4, IGMP, ICMP, ARP, TCP, UDP, DHCP, RTP, RTSP, RTCP, DNS, DDNS, NTP, FTP, UPnP, HTTP, HTTPS, SMTP, SSL, QoS
Compatible Integration	ONVIF(Profile S, Profile T), API
Client	EZStation EZView EZLive
Web Browser	Plug-in required live view: IE9+, Chrome 41 and below, Firefox 52 and below
	Plug-in free live view: Chrome 57.0+, Firefox 58.0+, Edge 16+, Safari 11+
Interface	
Network	10/100M Base-TX Ethernet
Certifications	
Certifications	CE: EN 60950-1 UL: UL60950-1 FCC: FCC Part 15
General	
Power	12 V DC±25%, PoE (IEEE802.3 af)
	Power consumption: Max 5.5W
Dimensions (L × W × H)	167.3×62.9×62.7mm (6.6"×2.5"×2.5")
Net Weight	0.45kg (0.99lb)
Material	Metal
Working Environment	-30°C ~ +60°C (-22°F ~ 140°F), Humidity: ≤95% RH(non-condensing)
Storage Environment	-30°C ~ +60°C (-22°F ~ 140°F), Humidity: ≤95% RH(non-condensing)
Surge Protection	2KV
Ingress Protection	IP67
Reset Button	Supported

Dimensions



Accessories

TR-UP06-B-IN

TR-JB05-A-IN

TR-UP06-C-IN

TR-A01-IN



Zhejiang Uniview Technologies Co., Ltd.

Building No.10, Wanlun Science Park, Jiangling Road 88, Binjiang District, Hangzhou, Zhejiang, China (310051)

Email: overseasbusiness@uniview.com; globalsupport@uniview.com

<http://www.uniview.com>

©2020 Zhejiang Uniview Technologies Co., Ltd. All rights reserved.

*Product specifications and availability are subject to change without notice.