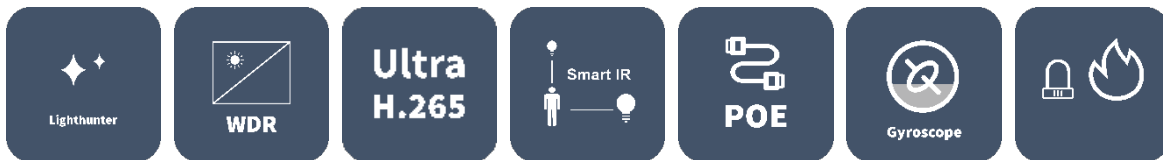


4MP Thermal & Optical Dual-spectrum Starlight PTZ Dome Camera

TIC6831ER-F50-4X38P



Key Features



Optics

- Thermal & Optical dual-spectrum image, dual channels with one IP, adaptable to more various scenes
- Passive infrared thermal imaging, meet the requirement of concealed monitoring and not affected by bad weather condition such as fog, smoke, rain, snow and night etc.
- Starlight illumination
- Smart IR, up to 150m (492ft) IR distance
- Gyroscope stabilization for stable picture
- 2D/3D DNR (Digital Noise Reduction)

Compression

- 4 Megapixel optical image
- Ultra265, H.264, MJPEG

- Triple streams
- Customize OSD

Network

- ONVIF Conformance

Structure

- AC/DC24V or PoE++(IEEE 802.3bt) power supply
- Wide voltage range of $\pm 25\%$
- Support Wiper
- Alarm 2 in and 1 out, Audio 1 in and 1 out
- IP66

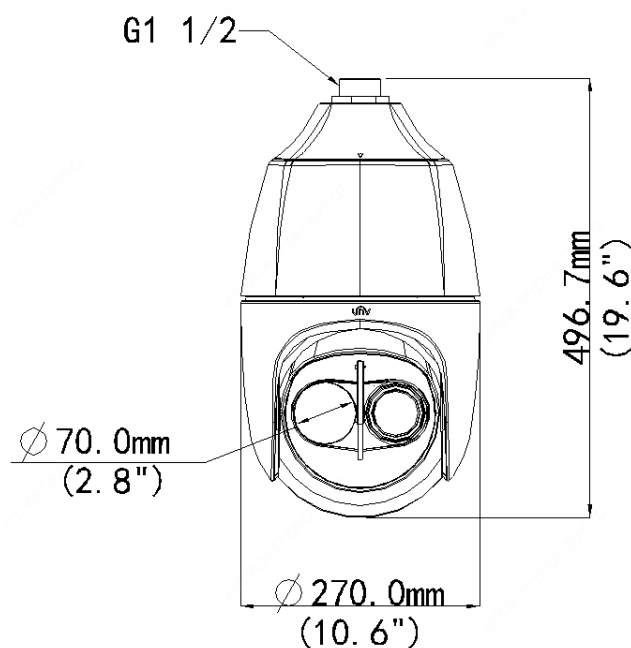
Specifications

TIC6831ER-F50-4X38P					
Optical Module					
Image sensor	1/1.8", progressive scan, 4.0 megapixel, CMOS				
Lens	5.7 ~ 216.6mm, AF automatic focusing and motorized zoom lens				
Digital Zoom	16				
Optical Zoom	38				
DORI Distance	Lens (mm)	Detect (m)	Observe (m)	Recognize (m)	Identify (m)
	5.7	97.5(319.9ft)	39(128.0ft)	19.5(64.0ft)	9.8(32.0ft)
	216.6	3030(9940.9ft)	1212(3976.4ft)	606(1988.2ft)	303(994.1ft)
Angle of View(H)	58.5° ~ 2.1°				
Angle of View(V)	35.0° ~ 1.2°				
Angle of View (O)	72.0° ~ 2.5°				
Shutter	Auto/Manual, shutter time: 1~1/100000 s				
Minimum Illumination	Colour: 0.0005 Lux (F1.3, AGC ON) 0 Lux with IR				
Iris	Auto/Manual; F1.3 ~ F4.6				
Day/Night	IR-cut filter with auto switch (ICR)				
Digital noise reduction	2D/3D DNR				
S/N	>56dB				
IR Range	Up to 150m (492ft)				
Defog	Optical Defog & Digital Defog				
WDR	120dB				
Thermal Module					
Sensor type	Vanadium Oxide Uncooled Focal Plane Arrays				
Max. Resolution	384*288				
Video format	720P(1280*720), Max 25fps				

Pixel size	17μm
Response waveband	8~14μm
NETD	≤50mk
Lens(focal length)	50mm
Angle of View (H)	7.5°
Angle of View (V)	5.8°
Angle of View (O)	9.1°
Focus	Auto/Semiautomatic/Manual
Palette	Up to 20 palettes of optional color, including: white hot, lava, iron oxide red, hot iron, medical, arctic, rainbow 1, rainbow 2, rainbow 3, depict hot, ice hot, black hot, mazarine, fusion, red hot, green hot, color 1, color 2, rain, puce
Detection Distance	Vehicle: 3480m (target size 4mx1.4m); human: 1395m (target size 1.8mx0.5m);
Recognition Distance	Vehicle: 870m (target size: 4mx1.4m); human: 349m (target size: 1.8mx0.5m);
Identification Distance	Vehicle: 497m (target size: 4mx1.4m); human: 199m (target size: 1.8mx0.5m);
Video	
Compression	Ultra265, H.264, MJPEG
Frame Rate	Main Stream: 4MP (2688×1520): Max.60fps; Sub Stream: 2MP (1920×1080): Max.60fps; Third Stream: D1(720 x 576): Max.60fps;
HLC	Supported
BLC	Supported
OSD	Up to 8 OSDs
ROI	Up to 8 areas
Privacy Mask	Up to 24 areas
Motion Detection	Up to 4 areas
Event	
General Function	Watermark, IP Address Filtering, Tampering Alarm, Alarm input, Alarm output, Access Policy, ARP Protection, RTSP Authentication, User Authentication
Audio	
Audio Compression	G.711U, G.711A
Two-way audio	Supported
Suppression	Supported
Sampling Rate	8 KHZ
Storage	
Edge Storage	Micro SD, up to 256GB
Network Storage	ANR,NAS(NFS)
Network	
Protocols	IPv4, IGMP, ICMP, ARP, TCP, UDP, DHCP, PPPoE, RTP, RTSP, RTCP, DNS, DDNS, NTP, FTP, UPnP, HTTP, HTTPS, SMTP, 802.1x, SNMP, QoS, RTMP
Compatible Integration	ONVIF (Profile S, Profile G, Profile T), API
Web Browser	Plug-in required live view: IE9+, Chrome 41 and below, Firefox 52 and below
Pan & Tilt	
Pan Range	360° (endless)
Pan Speed	0.1°/s ~ 180°/s
	Preset speed: 300°/s
Tilt Range	-15° ~ 90° (auto reverse)

Tilt Speed	0.1° ~ 180°/s
	Preset speed: 240°/s
Number of Presets	1024
Patrol	Preset patrol, route patrol, recorded patrol
Home Position	Supported
Interface	
Audio I/O	Audio cable
	Input: impedance 1kΩ; amplitude 2V [p-p]
	Output: impedance 600Ω; amplitude 2V [p-p]
Alarm I/O	2/1
Serial Port	1 RS485
Video Output	N/A
Network	1 RJ45 10M / 100M Base-TX Ethernet
General	
Power	AC 24V, DC 24V ±25%, PoE++ (IEEE 802.3bt) (IEEE802.3bt switch required)
	Power consumption: Max 57W
Dimensions (Φ × H)	Φ270mm × 496.7mm (Φ10.6" × 19.6")
Weight	10.22kg (22.53lb)
Working Environment	-40° C ~ 70° C (-40° F ~ 158° F), Humidity: ≤95% RH (non-condensing)
Storage Environment	-40° C ~ 70° C (-40° F ~ 158° F), Humidity: ≤95% RH (non-condensing)
Surge protection	6KV
Vandal Resistant	N/A
Ingress Protection	IP66

Dimensions



Accessories

TR-CE45-IN



TR-WE45-A-IN



TR-JB12-IN



TR-UP08-A-IN/TR-UP08-B-IN



TR-UC08-A-IN/ TR-UC08-B-IN



Pendent Mount (Indoor Use)	Pole Mount
TR-CE45-IN	TR-UP08-A-IN/TR-UP08-B-IN + TR-JB12-IN+ TR-WE45-A-IN
Corner Mount	/
TR-UC08-A-IN/ TR-UC08-B-IN+ TR-JB12-IN+ TR-WE45-A-IN	/
	/

Zhejiang Uniview Technologies Co., Ltd.

Building No.10, Wanlun Science Park, Jiangling Road 88, Binjiang District, Hangzhou, Zhejiang, China (310051)

 Email: overseasbusiness@uniview.com; globalsupport@uniview.com
<http://www.uniview.com>

©2016-2020 Zhejiang Uniview Technologies Co., Ltd. All rights reserved.

* Product specifications and availability are subject to change without notice.