

8MP LightHunter Intelligent Bullet Network Camera

IPC268EA-DZK



Key Features



- High quality image with 8MP, 1/1.8" CMOS sensor
- 3840*2160@30fps in the main stream
- Ultra 265, H.265, H.264, MJPEG
- Five streams
- Smart intrusion prevention, support false alarm filtering, include Cross Line, Intrusion, Enter Area, Leave Area detection
- LightHunter technology ensures ultra-high image quality in low illumination environment
- Up to 120 dB Optical WDR (Wide Dynamic Range)
- DC12V or AC24V or PoE (IEEE 802.3at) power supply
- Wide voltage range of $\pm 25\%$ in AC, $-10\% \sim 25\%$ in DC
- Audio 1 in and 1 out, Alarm 2 in and 1 out
- Smart IR, up to 100m(328ft) IR distance
- Micro SD, up to 256GB
- IP67 ingress protection
- IK10 vandal resistant

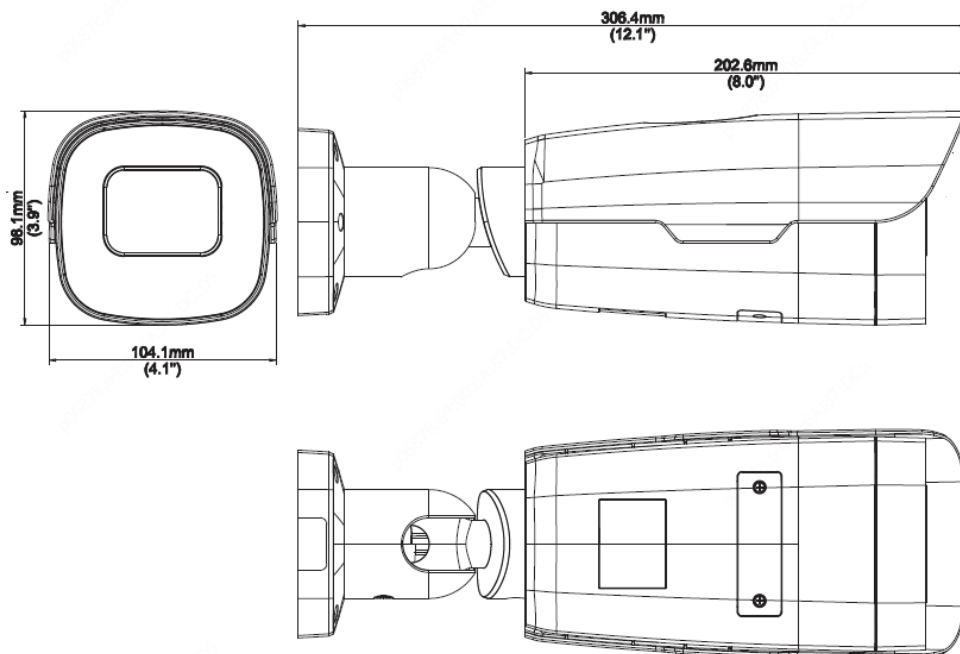
Specifications

| | | | | | |
|-------------------------|---|---------------|--------------|---------------|--------------|
| | IPC268EA-DZK | | | | |
| Camera | | | | | |
| Sensor | 1/1.8", 8.0 megapixel, progressive scan, CMOS | | | | |
| Min. Illumination | Colour:0.002lux (F1.2, AGC ON) 0 lux with IR | | | | |
| Day/Night | IR-cut filter with auto switch (ICR) | | | | |
| Shutter | Auto/Manual, 1 ~ 1/100000s | | | | |
| Angle Adjustment | Pan: 0° to 360°, tilt: 0° to 90°, rotate: 0° to 360° | | | | |
| WDR | 120dB | | | | |
| S/N | >56dB | | | | |
| Lens | | | | | |
| Lens type | 2.8-12mm@F1.2, AF automatic focusing and motorized zoom lens | | | | |
| Iris | Auto aperture | | | | |
| Field of View (H) | 41.6°~106.5° | | | | |
| Field of View (V) | 24.0°~55.0° | | | | |
| Field of View (D) | 47°~126° | | | | |
| DORI | | | | | |
| DORI Distance | Lens (mm) | Detect (m) | Observe (m) | Recognize (m) | Identify (m) |
| | 2.8 | 63.0(206.6ft) | 25.2(82.6ft) | 12.6(41.3ft) | 6.3(20.7ft) |
| | 12 | 270(885.6ft) | 108(354.2ft) | 54(177.1ft) | 27(88.6ft) |
| Illuminator | | | | | |
| IR Range | Up to 100m (328 ft) IR range | | | | |
| Wavelength | 850nm | | | | |
| IR On/Off Control | Auto/Manual | | | | |
| Video | | | | | |
| Video Compression | Ultra 265,H.265,H.264,MJPEG | | | | |
| Frame Rate | Main Stream: 8MP(3840*2160),Max 30fps; 4MP(2560*1440),Max 30fps; 2MP(1920*1080),Max 30fps; Sub Stream: 2MP (1920*1080), Max 30fps; Third Stream: D1 (720*576), Max 30fps Fourth Stream: D1 (720*576), Max 30fps Fifth Stream: D1 (720*576), Max 30fps | | | | |
| Video Bit Rate | 128 Kbps~16 Mbps | | | | |
| U-code | Support | | | | |
| ROI | Support | | | | |
| Video stream | Five streams | | | | |
| OSD | Up to 8 OSDs | | | | |
| Privacy Mask | Up to 8 areas(8 blacks/8 mosaics) | | | | |
| Image | | | | | |
| White Balance | Auto/Outdoor/Fine Tune/Sodium Lamp/Locked/Auto2 | | | | |
| Digital noise reduction | 2D/3D DNR | | | | |
| Smart IR | Support | | | | |
| Flip | Normal/Flip Vertical/Flip Horizontal/180°/90°Clockwise/90°Anti-clockwise | | | | |
| HLC | Support | | | | |
| BLC | Support | | | | |
| Defog | Digital Defog | | | | |
| Intelligent | | | | | |
| Smart intrusion | Support false alarm filtering, Cross Line detection, Intrusion detection, Enter Area detection, Leave Area detection | | | | |

| | |
|------------------------------------|--|
| Prevention | |
| Statistical Analysis | People counting, support tripwire people counting and area people counting |
| Events | |
| Basic Detection | Motion detection, Audio detection, Tampering alarm |
| Exception Detection And Statistics | Object Left Behind detection, Object Removed detection, Defocus detection, Scene change detection; |
| General Function | Watermark, IP Address Filtering, Alarm input, Alarm output, Access Policy, ARP Protection, RTSP Authentication, User Authentication |
| Audio | |
| Audio Compression | G.711U,G.711A |
| Audio Bitrate | 64 Kbps |
| Two way audio | Support |
| Suppression | Support |
| Sampling Rate | 8KHZ |
| Storage | |
| Edge Storage | Micro SD, up to 256 GB |
| Network Storage | ANR,NAS(NFS) |
| Network | |
| Protocols | IPv4, IGMP, ICMP, ARP, TCP, UDP, DHCP, PPPoE, RTP, RTSP, RTCP, DNS, DDNS, NTP, FTP, UPnP, HTTP, HTTPS, SMTP, 802.1x, SNMP, QoS, RTMP,SSL/TLS |
| Compatible Integration | ONVIF (Profile S, Profile G, Profile T), API,SDK |
| User/Host | Up to 32 users. 3 user levels: administrator, operator and common user |
| Security | Password protection, strong password, HTTPS encryption, Export operation logs, basic and digest authentication for RTSP, digest authentication for HTTP, TLS 1.2, WSSE and digest authentication for ONVIF |
| Client | EZStation Ezview EZLive |
| Web Browser | Plug-in required live view: IE 10 and above, Chrome 45 and above, Firefox 52 and above, Edge 79 and above |
| Interface | |
| Audio I/O | 1/1 |
| Alarm I/O | 2/1 |
| Serial Port | 1 RS485 |
| Built-in Mic | N/A |
| Built-in Speaker | N/A |
| WIFI | N/A |
| Network | 1 x RJ45 10M/100M/1000M Base-TX Ethernet |
| Video Output | N/A |
| Certifications | |
| EMC | CE-EMC (EN 55032: 2015+A1:2020,EN 61000-3-3: 2013+A1: 2019,EN IEC 61000-3-2: 2019+A1: 2021,EN 55035: 2017+A11:2020) FCC (FCC CFR 47 part15 B, ANSI C63.4-2014) |
| Safety | CE LVD (EN 62368-1:2014+A11:2017) CB (IEC 62368-1:2014) UL (UL 62368-1, 2nd Ed., Issue Date: 2014-12-01) |
| Environment | CE-RoHS (2011/65/EU;(EU)2015/863); WEEE (2012/19/EU); Reach (Regulation (EC) No 1907/2006) |
| Protection | IP67 (IEC 60529:1989+AMD1:1999+AMD2:2013) IK10 (IEC 62262:2002) |
| General | |
| Power | AC24V±25%, DC12V(-10%~+25%), PoE(IEEE802.3at) |
| | Power consumption: Max 14W |

| | |
|---------------------|---|
| Power Interface | Wires with cold-pressed terminal |
| Dimensions (Ø x H) | Φ306.4x104.1x98.1mm(Φ12.1"x4.1"x3.9") |
| Weight | 1.60kg(3.52lb) |
| Working Environment | -40°C ~60°C (-40°F ~ 140°F), Humidity: ≤95% RH (non-condensing) |
| Storage Environment | -40°C ~70°C (-40°F ~ 158°F), Humidity: ≤95% RH (non-condensing) |
| Surge protection | 6KV |
| Reset button | Support |

Dimensions



Accessories

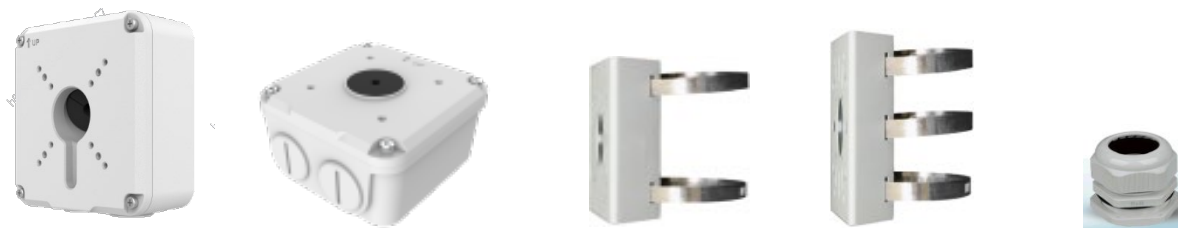
TR-JB07-D-IN
Junction Box

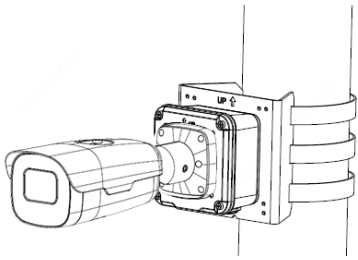
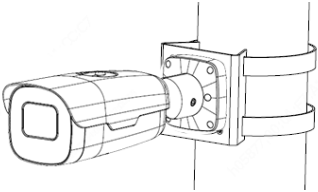
TR-JB06-A-IN
Junction Box

TR-UP06-B-IN
Pole Mount

TR-UP06-C-IN
Pole Mount

TR-A01-IN
Waterproof Joint



| Junction Mount | Pole Mount |
|--|--|
| TR-JB07-D-IN(TR-JB06-A-IN)+ TR-UP06-C-IN | TR-UP06-B-IN |
|  |  |

Zhejiang Uniview Technologies Co., Ltd.

Building No.10, Wanlun Science Park, Jiangling Road 88, Binjiang District, Hangzhou, Zhejiang, China (310051)

Email: overseasbusiness@uniview.com; globalsupport@uniview.com

<http://www.uniview.com>

©2020-2022 Zhejiang Uniview Technologies Co., Ltd. All rights reserved.

*Product specifications and availability are subject to change without notice.