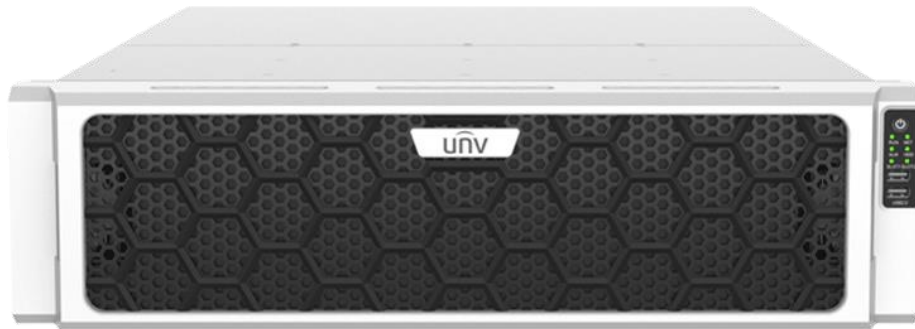


# Network Video Recorder

## NVR816 Series



### Key Features

- Support Ultra 265/H.265/H.264 video formats
- 64/128-channel input
- Support mainstream cameras of ONVIF conformance(Profile S, Profile G, Profile T ) and RTSP protocols
- Support 2-ch HDMI, 1-ch VGA, HDMI at up to 4K(3840x2160) resolution
- HDMI1, HDMI2 and VGA independent outputs provided
- Up to 12 Megapixels resolution recording
- Redundant power supply optional
- Support HDD hot swap with RAID 0, 1, 5, 6, 10, 50, 60 storage scheme configurable
- 16 SATA HDDs, up to 16TB for each HDD
- Support 2 miniSAS Interfaces
- Support 12V power output
- ANR technology to enhance the storage reliability when the network is disconnected
- Support cloud upgrade
- Support N+1 Hot spare

## Specifications

Model	NVR816-64	NVR816-128
<b>Video/Audio Input</b>		
IP Video Input	64-ch	128-ch
Two-way Audio Input	1-ch, RCA	
<b>Network</b>		
Incoming Bandwidth	512Mbps	
Outgoing Bandwidth	512Mbps	
Remote Users	128	
Protocols	TCP/IP, P2P, UPnP, NTP, DHCP, PPPoE, HTTP, HTTPS, DNS, DDNS, SNMP, SMTP, NFS	
Browser	IE(IE10/11) for Windows Firefox (version 52.0 and above) for Windows Chrome(version 45 and above) for Windows Edge(version 79 and above) for Windows	
<b>Video/Audio Output</b>		
HDMI/VGA Output	VGA: 1920x1080p/60Hz, 1920x1080p/50Hz, 1600x1200/60Hz, 1280x1024/60Hz, 1280x720/60Hz, 1024x768/60Hz HDMI1/HDMI2: 4K (3840x2160)/30Hz, 1920x1080p/60Hz, 1920x1080p/50Hz, 1600x1200/60Hz, 1280x1024/60Hz, 1280x720/60Hz, 1024x768/60Hz	
Recording Resolution	12MP/8MP/6MP/5MP/4MP/3MP/1080p/960p/720p/D1/2CIF/CIF	
Audio Output	1-ch, RCA	
Audio Compression	G.711A, G.711U	
Synchronous Playback	16-ch	
Live View Display	VGA: 1/4/6/8/9/16/25/36 HDMI1, HDMI2: 1/4/6/8/9/16/25/36/64	
Corridor Mode Screen	3/4/5/7/9/10/12/16/32	
<b>Snapshot</b>		
FTP/Schedule/Event Snapshot	64-ch snapshot, up to 4K resolution	128-ch snapshot, up to 4K resolution
<b>Decoding</b>		
Decoding Format	Ultra 265, H.265, H.264	
Live View/Playback	12MP/8MP/6MP/5MP/4MP/3MP/1080p/960p/720p/D1/2CIF/CIF	
Capability	3 x 12MP@25, 4 x 4K@30, 16 x 1080P@30, 32 x 960P@25, 36 x 720P@30, 64 x D1	
<b>Hard Disk</b>		
SATA	16 SATA interfaces	
Capacity	up to 16TB for each HDD (The maximum HDD capacity varies with environment temperature)	
Extension board	2	
miniSAS	2 miniSAS ports	
eSATA	1 eSATA interface	
Disk Group	Support	
Disk Array Type	RAID 0, 1, 5, 6, 10, 50, 60	

**Smart**

VCA Detection by IPC	Intrusion Detection, Cross Line Detection, Enter Area, Leave Area, Defocus Detection, Scene Change Detection, Object Left Behind, Object Removed, Auto Tracking, Temperature Detection(Fire Detection,Smoking Detection, Temperature Measurement, Smoke and Fire Detection), Ultra Motion Detection(UMD), Mixed-Traffic Detection, Traffic Monitoring
VCA Search	Motor Vehicle Search, Non-Motor Vehicle Search, Human Body Search, General Search, Search by Image, People Counting Report
People Counting	People Flow Counting, Crowd Density Monitoring
Smart Intrusion Prevention (SIP), Vehicle Detection, Temperature Detection, UMD by Camera	Total 64-ch

**External Interface**

Network Interface	4 RJ-45 10M/100M/1000M adaptive Ethernet Interface
USB Interface	Front panel: 2 x USB2.0, Rear panel: 2 x USB3.0
RS232	1
RS485	1
Alarm In	24-ch
Alarm Out	8-ch
Power Output	12V

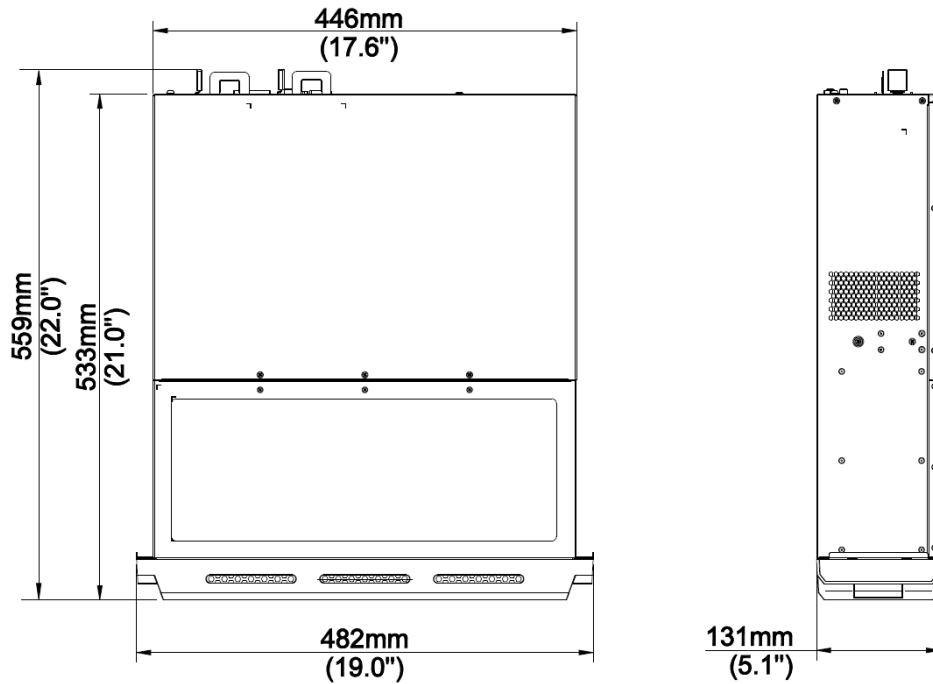
**General**

Power Supply	100 ~ 240V AC Power Consumption: ≤ 65 W (without HDD)
Working Environment	-10°C ~ + 55°C (+14°F ~ +131°F), Humidity ≤ 90% RH (non-condensing)
Dimensions	533mm × 482mm × 131.0mm (21.0" × 19.0" × 5.1")
Weight (without HDD)	≤ 12.5 Kg (27.56 lb)

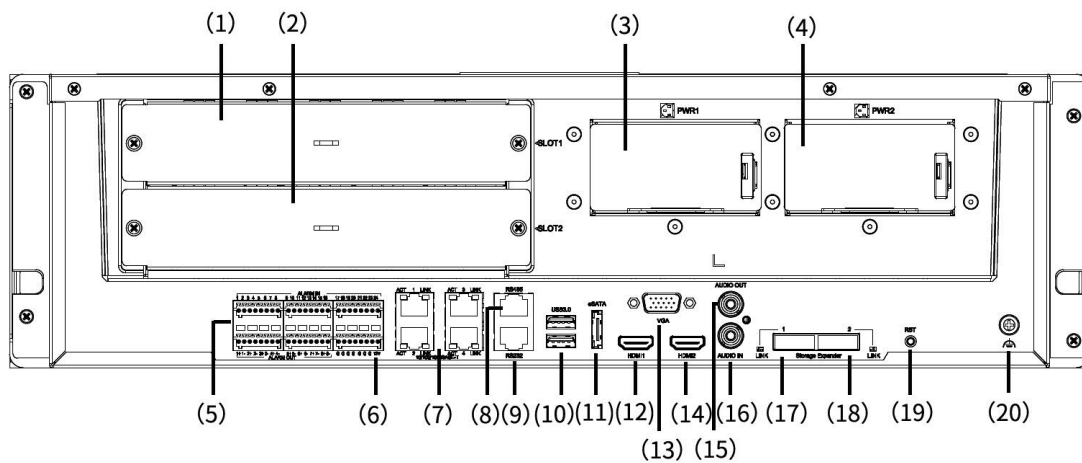
**Certification**

Certification	CE, FCC, UL, RoHS, WEEE
CE	EN 55032, EN 61000-3-3, EN IEC 61000-3-2, EN 55035
FCC	Part15 Subpart B

## Dimensions



## Rear Panel



(1) Slot1	(2) Slot2	(3) Power Supply 1
(4) Power Supply 2 (optional)	(5) Alarm In/Out	(6) 12V DC Output
(7) Network Interface	(8) RS485	(9) RS232

(10) USB3.0	(11) eSATA	(12) HDMI1 Output
(13) VGA Output	(14) HDMI2 Output	(15) Audio Output
(16) Audio Input	(17) miniSAS	(18) miniSAS
(19) RST	(20) GND	

**Zhejiang Uniview Technologies Co., Ltd.**

Building No.10, Wanlun Science Park, Jiangling Road 88, Binjiang District, Hangzhou, Zhejiang, China

Email: [overseasbusiness@uniview.com](mailto:overseasbusiness@uniview.com); [globalsupport@uniview.com](mailto:globalsupport@uniview.com)

<http://sgcdn.uniview.com>

©2023 Zhejiang Uniview Technologies Co.,Ltd. All rights reserved.

\* Product specifications and availability are subject to change without notice.