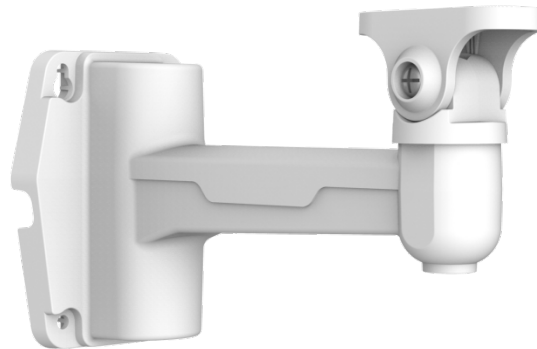


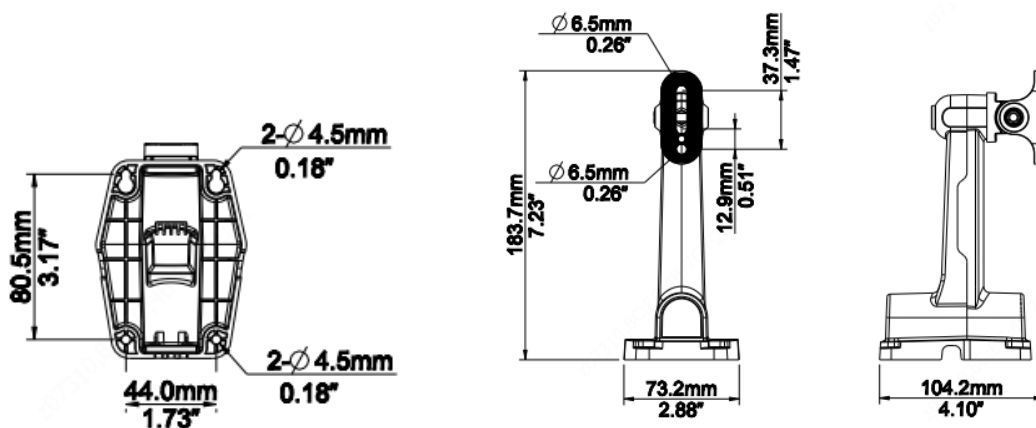
TR-WM07P-A Plastic Wall Mount for Bullet Cameras



Specifications

Parameter	Description
Application scenarios	Indoor/outdoor
Dimensions (L×W×H)	183.7mm×73.2mm×104.2mm (7.23"×2.88"×4.10")
Weight	0.1kg (0.22lb)
Weight-bearing	10kg
Material	Plastic

Dimensions



Zhejiang Uniview Technologies Co., Ltd.

Building No.10, Wanlun Science Park, Jiangling Road 88, Binjiang District, Hangzhou, Zhejiang, China

Email: overseasbusiness@uniview.com; globalsupport@uniview.com

<http://www.uniview.com>

©2023 Zhejiang Uniview Technologies Co., Ltd. All rights reserved.

* Product specifications and availability are subject to change without notice.