

5MP LightHunter Deep Learning Dome Network Camera

IPC3615SS-ADF28(40)KM-IO



Key Features



Optics

- 1/2.7", Powered by lighthunter
- Smart IR, up to 40m (131 ft) IR distance
- Up to 120 dB Optical WDR (Wide Dynamic Range)

Smart

- Smart intrusion prevention, support false alarm filtering, include Cross Line, Intrusion, Enter Area, Leave Area detection
- People Counting, support people flow counting and crowd density monitoring, suitable for different statistical scenarios

Compression

- Ultra 265, H.265, H.264, MJPEG
- Triple streams
- 2592*1944@20fps in the main stream
- ROI (Region of Interest)

Network

- ONVIF Conformance

Structure

- Built-in Mic
- DC12V or PoE power supply
- Wide voltage range of $\pm 25\%$ in DC
- Micro SD, up to 256 GB
- IP67 ingress protection

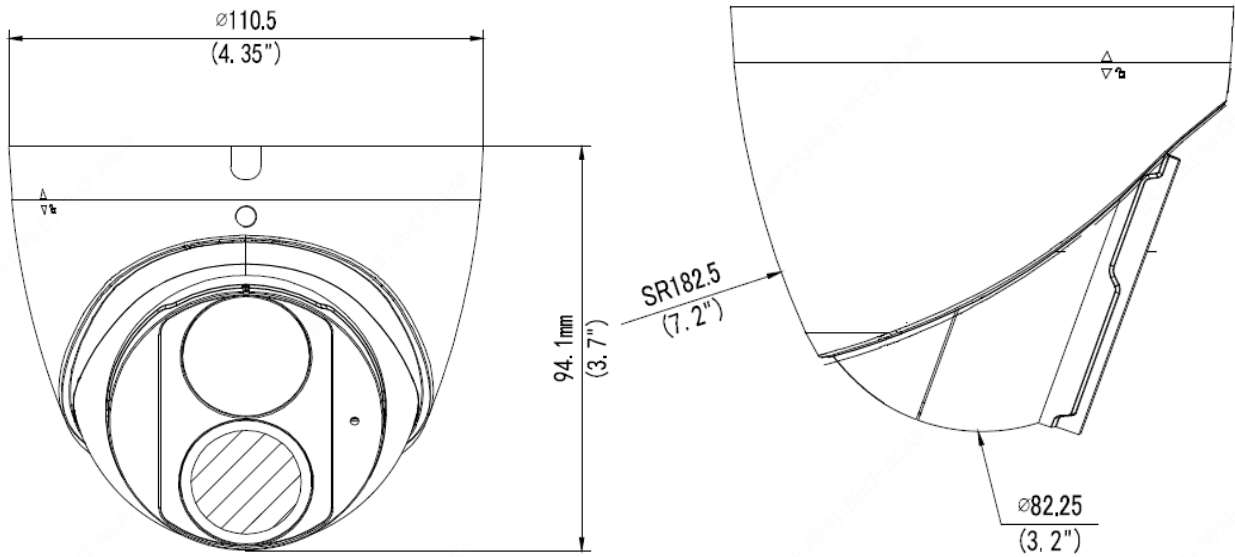
Specifications

| | IPC3615SS-ADF28KM-I0 | IPC3615SS-ADF40KM-I0 | | | |
|-------------------|--|----------------------|---------------|-----------------|--------------|
| Camera | | | | | |
| Sensor | 1/2.7", 5.0 megapixel, progressive scan, CMOS | | | | |
| Lens | 2.8mm@F1.6 | 4.0mm@F1.6 | | | |
| Iris | Fixed | | | | |
| DORI Distance | Lens (mm) | Detect (m) | Observe (m) | Recognize (m) | Identify (m) |
| | 2.8 | 63.0(206.7ft) | 25.2(82.7ft) | 12.6(41.7ft) | 6.3(20.7ft) |
| | 4.0 | 90.0(295.3ft) | 36.0(118.1ft) | 18.0(59.1ft) | 9.0(29.5ft) |
| Field of View (H) | 97.7° | | 79.6° | | |
| Field of View (V) | 68.5° | | 56.6° | | |
| Field of View (D) | 127.1° | | 97.9° | | |
| Shutter | Auto/Manual, 1 ~ 1/100000s | | | | |
| Adjustment angle | Pan: 0°~360° | | Tilt: 0°~75° | Rotate: 0°~360° | |
| Min. Illumination | Colour:0.002lux (F1.6, AGC ON) 0 lux with IR | | | | |
| WDR | 120dB | | | | |
| Day/Night | IR-cut filter with auto switch (ICR) | | | | |
| S/N | >56dB | | | | |
| IR Range | Up to 40m (131 ft) IR range | | | | |
| Wavelength | 850nm | | | | |
| IR On/Off Control | Auto/Manual | | | | |
| Defog | Digital Defog | | | | |
| Video | | | | | |
| Video Compression | Ultra 265, H.265, H.264, MJPEG | | | | |
| Frame Rate | Main Stream: 5MP(2592*1944),Max 20fps; 4MP(2560*1440),Max 30fps; Sub Stream: 2MP (1920*1080), Max 30fps; Third Stream: D1 (720*576), Max 30fps | | | | |
| Video Bit Rate | 128 Kbps~16 Mbps | | | | |
| ROI | Supported | | | | |
| Video stream | Triple streams | | | | |
| OSD | Up to 8 OSDs | | | | |
| Privacy Mask | Up to 8 areas(8 blacks/8 mosaics) | | | | |
| Image | | | | | |

| | |
|------------------------------------|---|
| White Balance | Auto/Outdoor/Fine Tune/Sodium Lamp/Locked/Auto2 |
| Digital noise reduction | 2D/3D DNR |
| Smart IR | Support |
| Flip | Normal/Flip Vertical/Flip Horizontal/180°/90°Clockwise/90°Anti-clockwise |
| HLC | Support |
| BLC | Support |
| Intelligent | |
| Smart intrusion prevention | Support false alarm filtering: Cross Line detection, Intrusion detection, Enter Area detection, Leave Area detection |
| Statistical Analysis | People counting, support people flow counting and crowd density monitoring |
| Events | |
| Basic Detection | Motion detection, Audio detection, Tampering alarm |
| General Function | Watermark, IP Address Filtering, Access Policy, ARP Protection, RTSP Authentication, User Authentication |
| Exception Detection And Statistics | Object Removed, Object Left Behind |
| Audio | |
| Audio Compression | G.711U,G.711A |
| Two-way Audio | N/A |
| Suppression | Supported |
| Sampling Rate | 8KHZ |
| Storage | |
| Edge Storage | Micro SD, up to 256 GB |
| Network Storage | ANR,NAS(NFS) |
| Network | |
| Protocols | IPv4, IGMP, ICMP, ARP, TCP, UDP, DHCP, PPPoE, RTP, RTSP, RTCP, DNS, DDNS, NTP, FTP, UPnP, HTTP, HTTPS, SMTP, 802.1x, SNMP, QoS, RTMP |
| Compatible Integration | ONVIF (Profile S, Profile G, Profile T), API |
| Client | EZStation EZLive Ezview |
| Web Browser | Plug-in required live view: IE 10 and above, Chrome 45 and above, Firefox 52 and above, Edge 79 and above |
| Interface | |
| Audio I/O | N/A |
| Alarm I/O | N/A |
| Built-in Mic | Supported |
| Network | 1 * RJ45 10M/100M Base-TX Ethernet |
| Certification | |
| EMC | CE-EMC (EN 55032: 2015+A1:2020,EN 61000-3-3: 2013+A1: 2019,EN IEC 61000-3-2: 2019+A1: 2021,EN 55035: 2017+A11:2020) FCC (FCC CFR 47 part15 B, ANSI C63.4-2014) |
| Safety | CE LVD (EN 62368-1:2014+A11:2017) CB (IEC 62368-1:2014) UL (UL 62368-1, 2nd Ed., Issue Date: 2014-12-01) |
| Environment | CE-RoHS (2011/65/EU;(EU)2015/863); WEEE (2012/19/EU); Reach (Regulation (EC) No 1907/2006) |
| Protection | IP67 (IEC 60529:1989+AMD1:1999+AMD2:2013) |
| General | |
| Power | DC12V(±25%), PoE(IEEE 802.3af) |
| | Power consumption: Max 4W |

| | |
|---------------------|--|
| Dimensions (Ø x H) | Ø110.5 x 94.1mm(Ø4.35" x 3.7") |
| Weight | 0.43kg(0.95lb) |
| Working Environment | -40°C ~ 60°C (-40°F ~ 140°F), Humidity: ≤95% RH (non-condensing) |
| Storage Environment | -40°C ~ 70°C (-40°F ~ 158°F), Humidity: ≤95% RH (non-condensing) |
| Surge protection | 2KV |

Dimensions



Accessories

TR-JB03-G-IN

Junction Box



TR-JB07/WM03-G-IN

Wall Mount



TR-WM03-D-IN

Wall Mount



TR-UM06-E-IN

Incline Ceiling Mount



TR-A01-IN

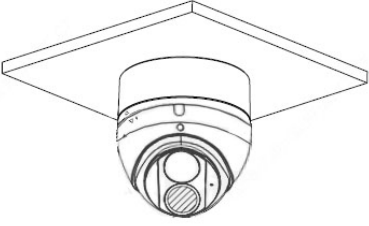
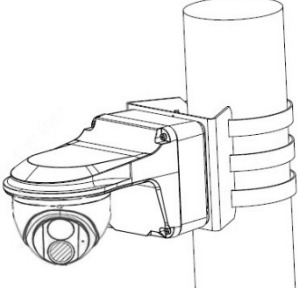
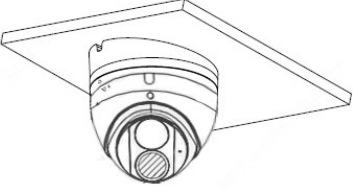
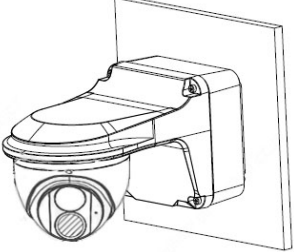
Waterproof Joint



TR-UP06-IN

Pole Mount



| Junction Mount | Pole Mount |
|---|---|
| TR-JB03-G-IN+ TR-A01-IN | TR-JB07/WM03-G-IN、TR-WM03-D-IN+TR-UP06-IN |
|  |  |
| Tilted Mount | Wall Mount |
| TR-UM06-E-IN | TR-JB07/WM03-G-IN、TR-WM03-D-IN |
|  |  |

Zhejiang Uniview Technologies Co., Ltd.

Building No.10, Wanlun Science Park, Jiangling Road 88, Binjiang District, Hangzhou, Zhejiang, China (310051)

 Email: overseasbusiness@uniview.com; globalsupport@uniview.com
<http://www.uniview.com>

©2020-2022 Zhejiang Uniview Technologies Co., Ltd. All rights reserved.

*Product specifications and availability are subject to change without notice