

1.3MP Network IR Bullet Camera

IPC2211SR3 Series



Key Features

Optics

- Day/night functionality
- Optical glass window with higher light transmittance
- IR anti-reflection window to increase the infrared transmittance
- 3D DNR (Digital Noise Reduction)

Compression

- H.264/MJPEG
- Triple streams

Network

- ONVIF Conformance

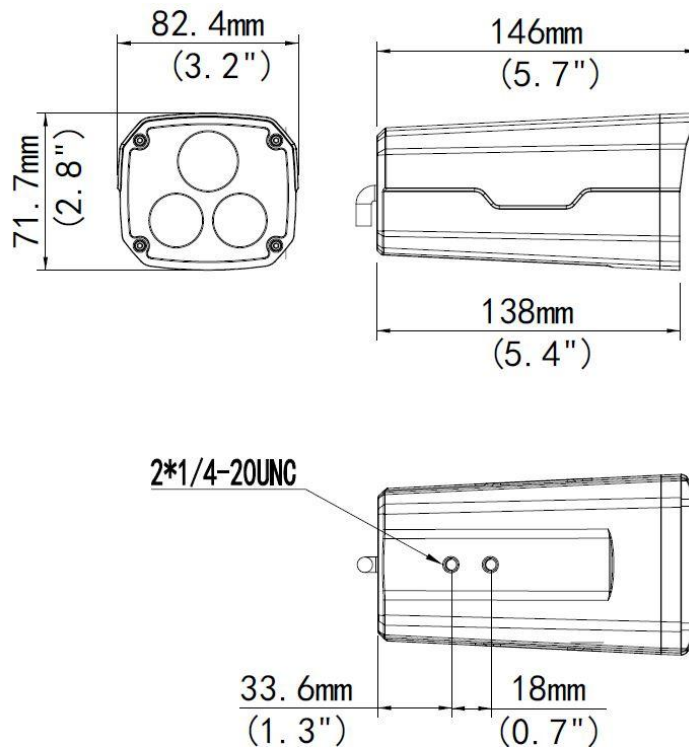
Structure

- Support PoE power supply(optional)
- Wide temperature range: -35°C to 60°C (-31°F to 140°F)
- Wide voltage range of $\pm 25\%$
- 4 KV surge protection designed for network interface
- IP66

Specifications

| | IPC2211SR3-PF36 | IPC2211SR3-PF60 |
|-------------------------|---|-------------------------------------|
| Camera | | |
| Sensor | 1/3", 1.3 Megapixel, progressive scan, CMOS | |
| Lens | 3.6mm@F1.8 Angle of view(H): 76.7° | 6mm@F1.8 Angle of view(H): 46.9° |
| Shutter | Auto/Manual, 1/6~1/8000 s | |
| Day/Night | IR-cut filter with auto switch (ICR) | |
| IR | Up to 30m (98 ft) IR range | |
| AWB(Auto white balance) | Auto/manual | |
| Gain Control | Auto/manual | |
| WDR | Digital | |
| Noise Reduction | 2D/3D | |
| Video | | |
| Max. Resolution | 1280×960 | |
| Video Compression | H.264/MJPEG | |
| Frame Rate | 960P (1280*960): Max. 30 fps; 720P (1280*720): Max. 30 fps; D1 (720*576): Max. 25 fps | |
| Video Streaming | Triple | |
| OSD | Up to 8 OSDs | |
| Motion Detection | Up to 2 areas | |
| Privacy Mask | Up to 4 areas | |
| Network | | |
| Protocols | IPv4,IGMP,ICMP,ARP,TCP,UDP,DHCP,RTP,RTSP,Qos,DNS,DDNS,NTP,FTP,UPnP,HTTP | |
| Compatible Integration | ONVIF | |
| Interface | | |
| Network | 10M/100M Base-TX Ethernet | |
| General | | |
| Power | 12 V DC, or PoE (IEEE802.3 af) | |
| | 3.5 W (5.5W with IR on) | |
| Material | Plastics | |
| Dimensions (L × W × H) | 146 × 82.4 × 71.7 mm (5.7" × 3.2" × 2.8") | |
| Weight | 0.26 kg (0.57 lb) | |
| Working Environment | -35°C ~ +60°C (-31°F ~ 140°F), Humidity ≤ 90% RH(non-condensing) | |
| Ingress Protection | IP66 | |

Dimensions



Zhejiang Uniview Technologies Co., Ltd.

South Tower, Building 10, Wanlun Science Park, 88 Jiangling Road, Hangzhou, P.R.China 310051

Email: overseasbusiness@uniview.com; globalsupport@uniview.com

<http://www.uniview.com>

©2015 Zhejiang Uniview Technologies Co., Ltd. All rights reserved.

*Product specifications and availability are subject to change without notice.