

Fish Eye Dome Plate Mount

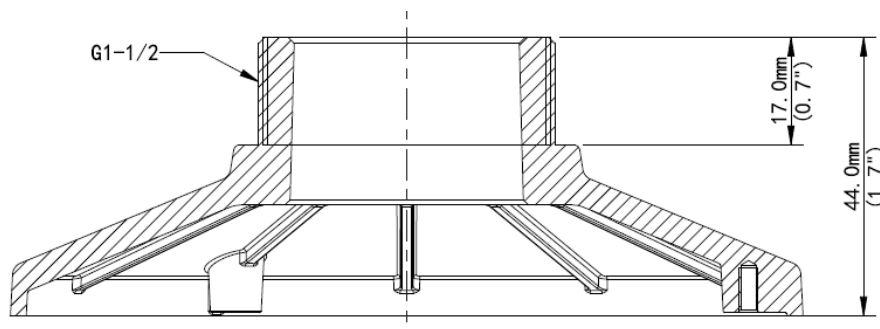
TR-UF45-I-IN

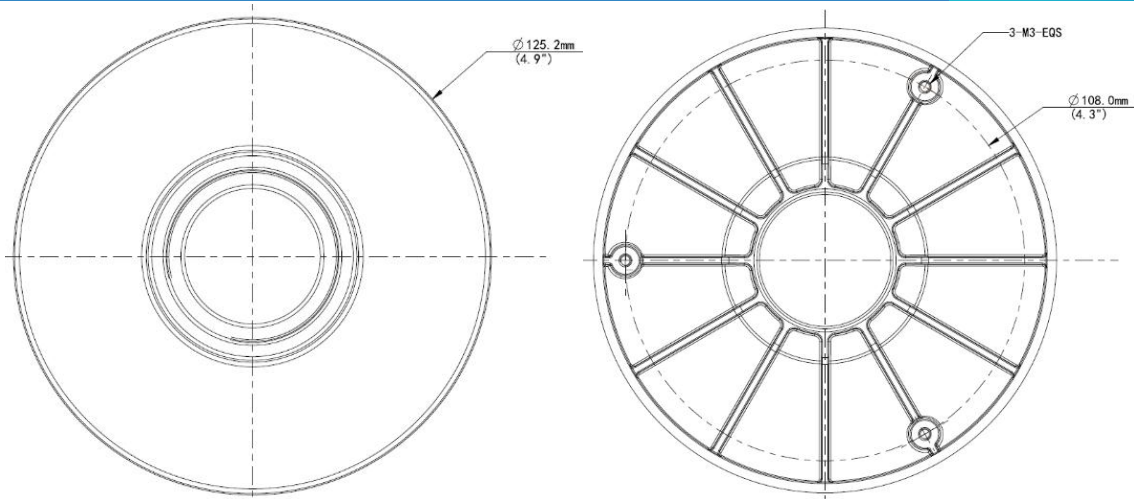


Specifications

Bracket	TR-UF45-I-IN
Use Environment	Indoor and outdoor;
Dimensions	Φ125.2mmx44mm(Φ4.9" x 1.7")
Weight	0.155kg(0.34lb)
Material	Aluminum alloy
Application	Lite series fish eye dome, Combination with TR-CE45-IN、TR-UF45-A-IN、TR-UF45-G

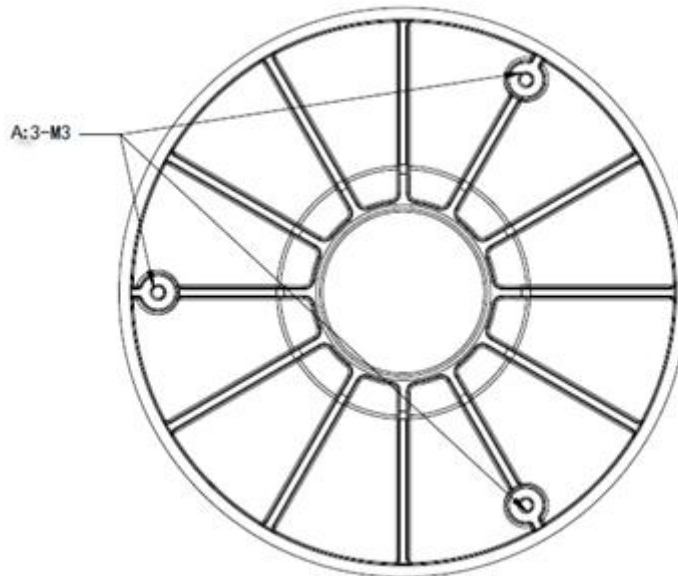
Dimension





Installation instructions

Label	Instructions
A	It's suitable for the IPC84 fish eye dome camera



Zhejiang Uniview Technologies Co.,Ltd.

South Tower, Building 10, Wanlun Science Park, 88 Jiangling Road, Hangzhou, P.R.China 310051

Email: overseasbusiness@uniview.com; globalsupport@uniview.com

<http://www.uniview.com>

©2018 Zhejiang Uniview Technologies Co.,Ltd. All rights reserved.

*Product specifications and availability are subject to change without notice.