

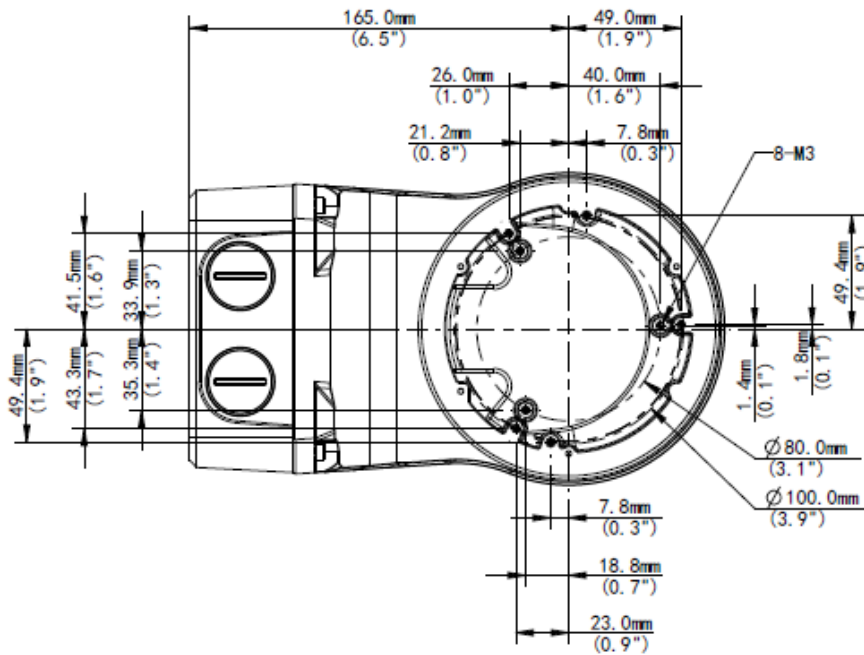
# TR-JB07/WM03-E-IN 3-inch Fixed Dome Wall Mount

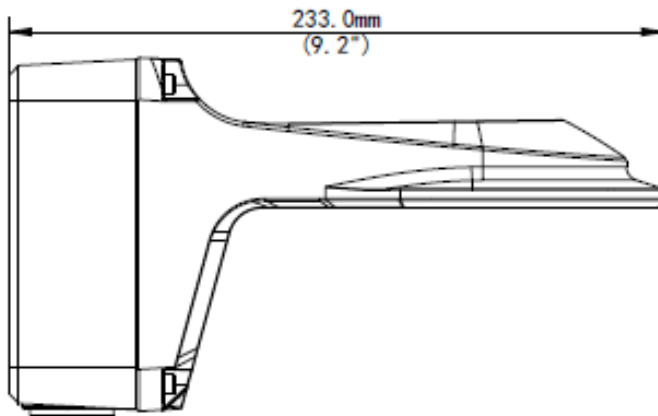
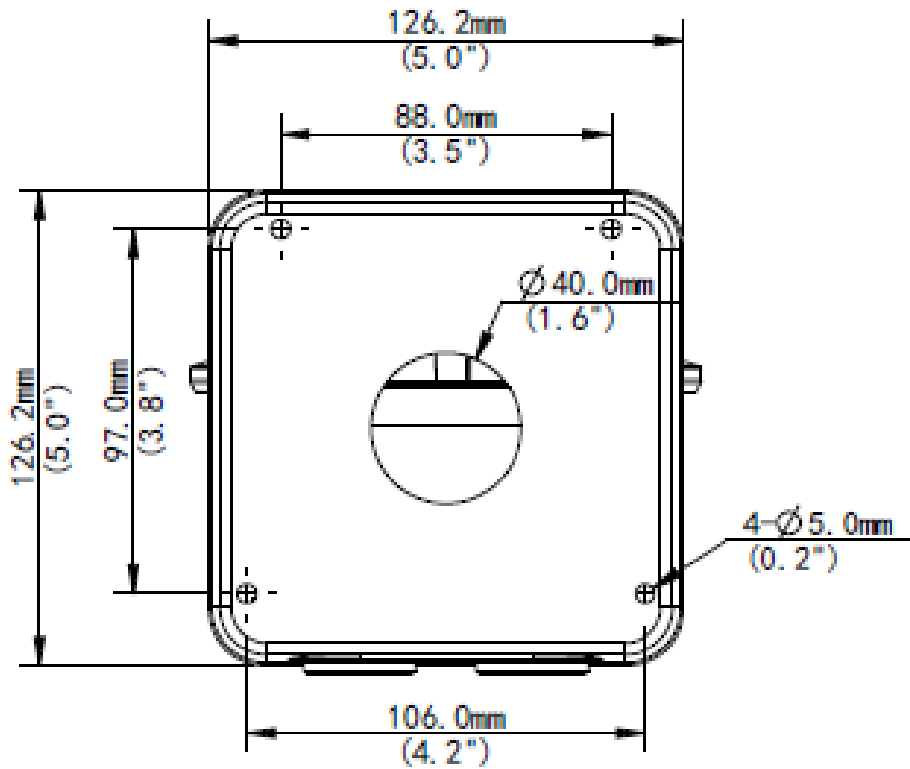


## Specifications

Bracket	TR-JB07/WM03-E-IN
Application	Wall installation for IPC32X and IPC361X series
Dimensions	126.2mmx126.2mmx233mm (5" x5" x9.2")
Weight	0.96kg(2.1lb)
Material	Aluminum alloy

## Dimensions





**Zhejiang Uniview Technologies Co.,Ltd.**

South Tower, Building 10, Wanlun Science Park, 88 Jiangling Road, Hangzhou, P.R.China 310051

Email: [overseasbusiness@uniview.com](mailto:overseasbusiness@uniview.com); [globalsupport@uniview.com](mailto:globalsupport@uniview.com)

<http://www.uniview.com>

©2018 Zhejiang Uniview Technologies Co.,Ltd. All rights reserved.

\*Product specifications and availability are subject to change without notice.