

2MP WDR Starlight (Motorized) VF Network IR Bullet Camera

IPC2322EBR5-HDUPZ



Key Features

Optics

- Starlight illumination
- 60fps Frame Rate
- Day/night functionality
- Smart IR, up to 50m (164 ft) IR distance
- Up to 120 dB Optical WDR(Wide Dynamic Range)
- 120dB TRUE WDR
- 2D/3D DNR(Digital Noise Reduction)

Compression

- Ultra 265,H.265, H.264, MJPEG
- Embedded smart algorithm
- Triple streams
- ROI (Region of Interest)
- 9:16 corridor mode
- Customized OSD

Network

ONVIF Conformance

Structure

Support PoE power supply

Wide temperature range: -35°C ~ +60°C (-31°F ~ 140°F)

Wide voltage range of ±25%

IP67

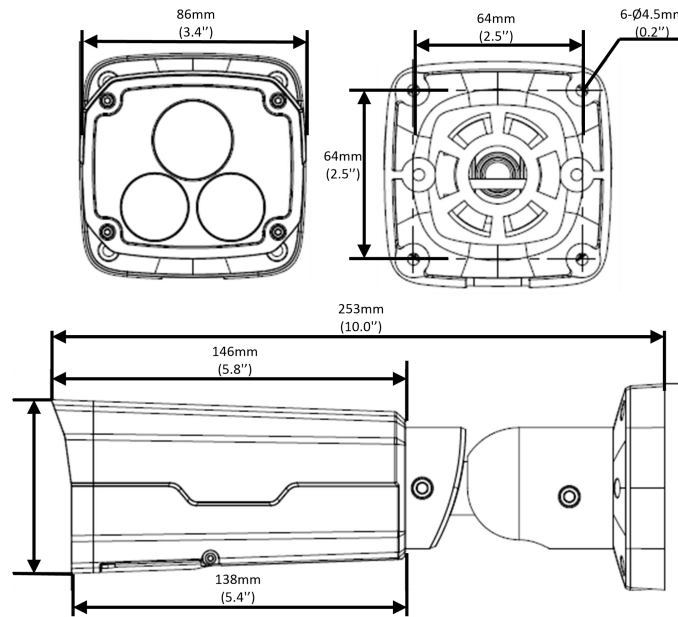
3-Axis

Specifications

IPC2322EBR5-HDUPZ					
Camera					
Sensor	1/2.8", progressive scan, 2.0 megapixel, CMOS				
Lens	2.7~13.5mm, AF automatic focusing and motorized zoom lens				
DORI Distance	Lens	Detect (m)	Observe (m)	Recognize (m)	Identify (m)
	2.7mm	41.9	16.7	8.4	4.2
	13.5mm	209.5	83.8	41.9	20.9
Angle of View(H)	121.36°~33.51°				
Angle of View (V)	58.4°~14.9°				
Angle of View (O)	139.9°~33.4°				
Adjustment angle	Pan: 0°~360°		Tilt: 0°~90°		Rotate: 0°~360°
Shutter	Auto/Manual, shutter time: 1~1/100000 s				
Minimum Illumination	Colour: 0.001Lux (F1.2, AGC ON) 0 Lux with IR on				
Day/Night	IR-cut filter with auto switch (ICR)				
Digital noise reduction	2D/3D DNR				
S/N	>52 dB				
IR Range	Up to 50m (164 ft) IR range				
Defog	Digital Defog				
WDR	120dB				
Video					
Video Compression	Ultra 265, H.265, H.264, MJPEG				
H.264 code profile	Baseline profile, Main Profile, High Profile				
Frame Rate	Main Stream: 2MP (1920×1080): Max. 60fps; Sub Stream: 720P (1280×720): Max. 30 fps; Third Stream: D1 (720×576): Max. 30fps;				
9:16 Corridor Mode	Supported				
HLC	Supported				
BLC	Supported				
OSD	Up to 8 OSDs				

Privacy Mask	Up to 8 areas
ROI	Up to 8 areas
Motion Detection	Up to 4 areas
Smart	
Behavior Detection	Intrusion, cross line, motion detection
Intrusion	Enter and loiter in a pre-defined virtual region
cross line	Cross a pre-defined virtual line
motion detection	Moving within a pre-defined virtual region
Recognition:	Face detection
Intelligent Identification	Defocus, Scene Change, Object Left, Object Moving
Statistical Analysis	People counting
General Function	Watermark, IP Address Filtering, Tampering Alarm, Alarm input, Alarm output, Access Policy, ARP Protection, RTSP Authentication, User Authentication
Audio	
Audio Compression	G.711
Two-way audio	Supported
Suppression	Supported
Sampling Rate	8 KHZ
Storage	
Edge Storage	Micro SD, up to 256 GB
Network Storage	ANR
Network	
Protocols	IPv4, IGMP, ICMP, ARP, TCP, UDP, DHCP, PPPoE, RTP, RTSP, RTCP, DNS, DDNS, NTP, FTP, UPnP, HTTP, HTTPS, SMTP, 802.1x, SNMP
Compatible Integration	ONVIF(Profile S, Profile G, Profile T), API
Interface	
Audio I/O	Input: impedance 35 kΩ; amplitude 1 V [p-p]
	Output: impedance 600 Ω; amplitude 1 V [p-p]
Alarm I/O	1/ 1
Network	1 RJ45 10M/100M Base-TX Ethernet
Video Output	1 BNC, impedance 75 Ω; amplitude 1 V [p-p]
General	
Power	12 V DC±25%, PoE (IEEE802.3 af)
	Power consumption: Max 10W
Dimensions (L × W × H)	253.4 ×86×71.7 mm (9.98" × 3.4" × 2.8")
Weight	1.0kg (2.2lb)
Working Environment	-35°C ~ +60°C (-31°F ~ 140°F), Humidity :10%~ 90% RH(non-condensing)
Ingress Protection	IP67
Vandal Resistant	IK10

Dimensions



Zhejiang Uniview Technologies Co., Ltd.

South Tower, Building 10, Wanlun Science Park, 88 Jiangling Road, Hangzhou, P.R.China 310051

Email: overseasbusiness@uniview.com; globalsupport@uniview.com

<http://www.uniview.com>

©2018 Zhejiang Uniview Technologies Co., Ltd. All rights reserved.

*Product specifications and availability are subject to change without notice.