

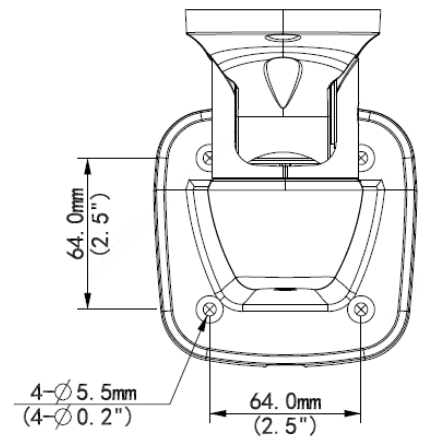
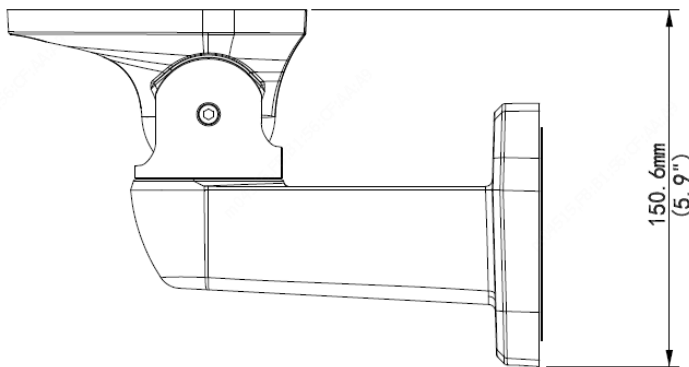
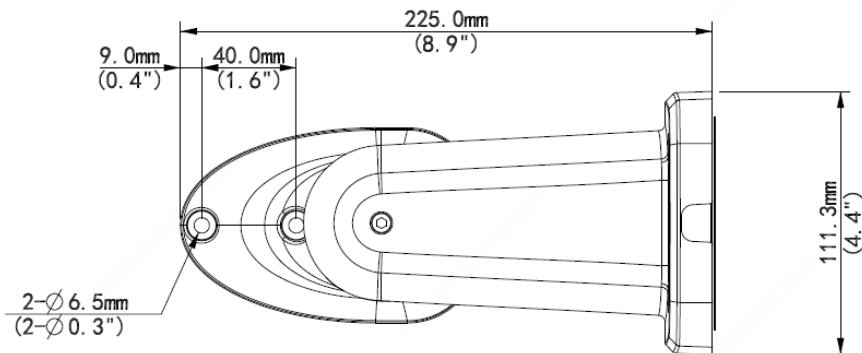
# TR-WE45-D-IN OmniView Network Camera Wall Mount



## Specifications

Bracket	TR-WE45-D-IN
Application	Indoor or outdoor, Multi-sensor Panoramic Network Camera Wall installation
Dimensions	225.0mmx111.3mmx150.6mm(8.9" x 4.4"x 5.9")
Weight	0.58kg (1.28lb)
Material	Aluminum alloy

## Dimensions



**Zhejiang Uniview Technologies Co.,Ltd.**

South Tower, Building 10, Wanlun Science Park, 88 Jiangling Road, Hangzhou, P.R.China 310051

Email: [overseasbusiness@uniview.com](mailto:overseasbusiness@uniview.com); [globalsupport@uniview.com](mailto:globalsupport@uniview.com)

<http://www.uniview.com>

©2019 Zhejiang Uniview Technologies Co.,Ltd. All rights reserved.

\*Product specifications and availability are subject to change without notice.