



# **How to Connect Uniview Cameras to a PoE NVR?**

Title	How to Connect Uniview Cameras to a POE NVR?	Version:	V1.1
Product	NVR	Date	9/26/2023

# How to Connect Uniview Cameras to a PoE NVR?

## Description

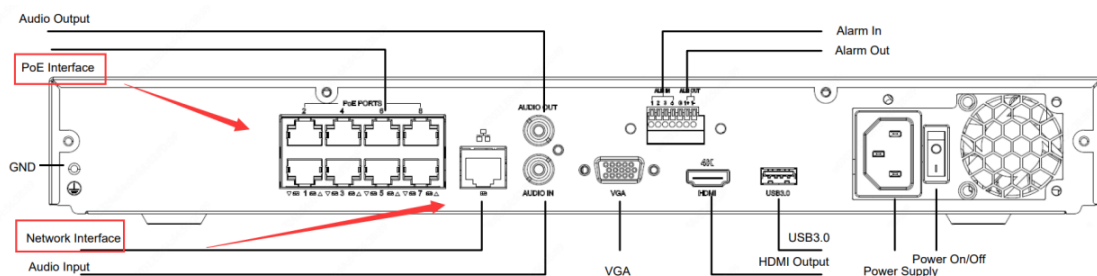
For some certain PoE NVR models, there will be 8 PoE ports on a 16 channel NVR, or 16 PoE ports on a 32 channel NVR. In this case, how to add 16 cameras on an NVR which only has 8 POE ports, and how to add 32 cameras on an NVR that only has 16 PoE ports? This document will explain.

**Note:** This method is applicable to most of the scenarios, if the method still cannot solve your problem, it is recommended to consult our Tech Support Team.

[https://global.uniview.com/Support/Service\\_Hotline/](https://global.uniview.com/Support/Service_Hotline/)

## Preparation

Take NVR302-16S-P8 as an example. It is a 16 channel NVR with 8 POE ports. To add more than 8 cameras on this NVR, a network switch is needed.



As shown in the above picture, a PoE NVR has 2 NICs (External Ethernet NIC and Internal PoE NIC). Both NICs can be connected with cameras. There are 2 different methods to add all 16 cameras.

## Operating Steps

**Method 1** Connect some cameras to the NVR's PoE ports and other cameras to a switch.

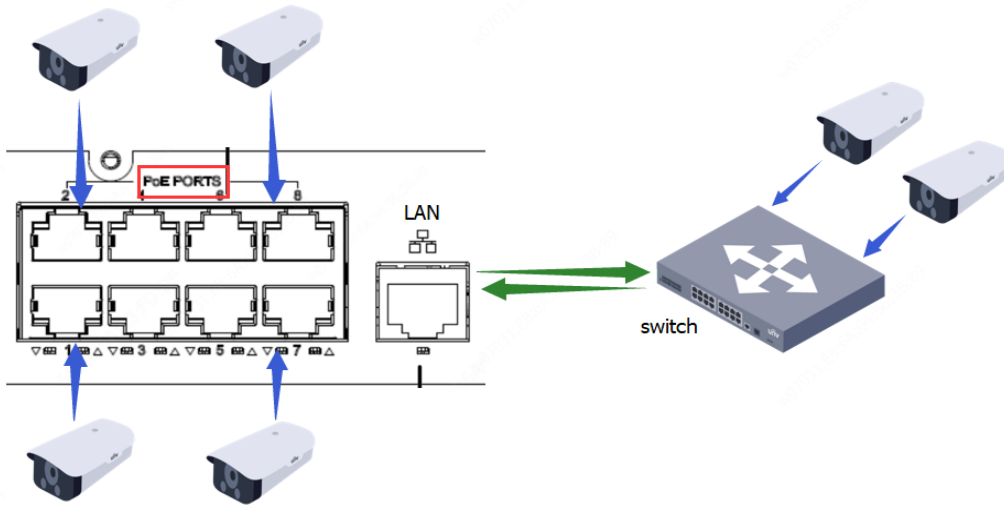
8 cameras that support PoE can be connected to the NVR PoE ports and the other 8 cameras can be connected to the network switch.

The switch needs to be connected to the NVR's external Ethernet port.

**Note:** The NVR's external Ethernet NIC and the POE NIC are in different IP segments. Cameras connected to the NVR's PoE ports need to be in the same IP segment as the NVR's POE NIC, and cameras connected to the NVR's external Ethernet port need to be in the same IP segment as the NVR's external Ethernet NIC.

Each PoE port of the NVR is designed to connect to one camera only. Please do not connect a switch to the NVR's PoE port, otherwise it may cause problems to the NVR's PoE NIC.

Title	How to Connect Uniview Cameras to a POE NVR?	Version:	V1.1
Product	NVR	Date	9/26/2023



**Method 2** Connect all cameras to a PoE switch

Connect all 16 cameras to a PoE switch, and connect the switch to the external Ethernet port of the NVR.

