

# 5MP HD Vandal-resistant IR Fixed Dome Network Camera

IPC325SR3-ADF28(40)KM-G



## Key Features



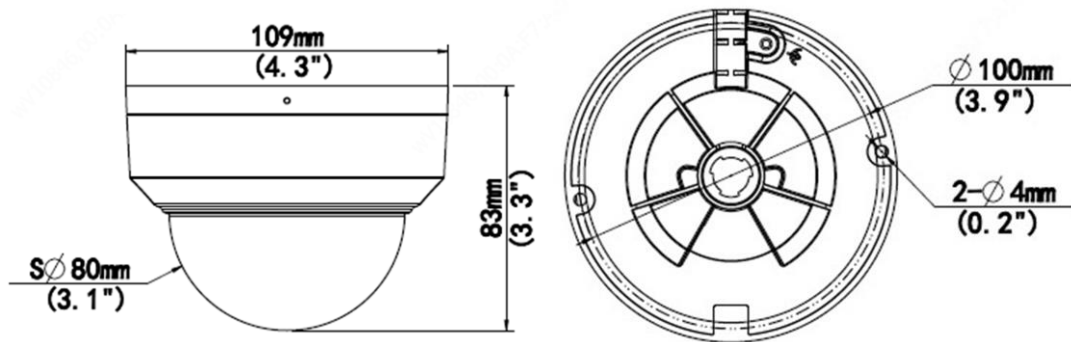
- High quality image with 5MP, 1/2.7"CMOS sensor
- 5MP (2880\*1620)@ 30/25fps; 4MP (2560\*1440)@ 30/25fps; 3MP (2304\*1296) @30/25fps; 2MP (1920\*1080) @30/25fps;
- Ultra 265, H.265, H.264, MJPEG
- LightHunter technology ensures high image quality in low illumination environment
- 120dB true WDR technology enables clear image in strong light scene
- Support 9:16 Corridor Mode
- Built-in Mic
- Smart IR, up to 30m (98ft) IR distance
- Supports 256 G Micro SD card
- IK10 vandal resistant
- IP67 protection
- Support PoE power supply
- 3-Axis

## Specifications

|                         | IPC325SR3-ADF28KM-G   | IPC325SR3-ADF40KM-G |                |               |                   |
|-------------------------|---|---------------------|----------------|---------------|-------------------|
| <b>Camera</b>           |   |                     |                |               |                   |
| Sensor                  | 1/2.7", 5.0 megapixel, progressive scan, CMOS   |                     |                |               |                   |
| Lens                    | 2.8mm@F1.6  |                     | 4.0mm@F1.6     |               |                   |
| DORI Distance           | Lens (mm)   | Detect (m)          | Observe (m)    | Recognize (m) | Identify (m)      |
|                         | 2.8   | 63.0                | 25.2           | 12.6          | 6.3               |
|                         | 4.0   | 90.0                | 36.0           | 18.0          | 9.0               |
| Angle of view (H)       | 112.9°  |                     | 91.2°          |               |                   |
| Angle of View (V)       | 59.1°   |                     | 47.9°          |               |                   |
| Angle of View (O)       | 121.2°  |                     | 95.9°          |               |                   |
| Adjustment angle        | Pan: 3° ~ 360°  |                     | Tilt: 0° ~ 68° |               | Rotate: 3° ~ 360° |
| Shutter                 | Auto/Manual, 1 ~ 1/100000s  |                     |                |               |                   |
| Minimum Illumination    | Support LightHunter: Colour: 0.003Lux ( F1.6, AGC ON) 0Lux with IR on   |                     |                |               |                   |
| Day/Night               | IR-cut filter with auto switch (ICR)  |                     |                |               |                   |
| Digital noise reduction | 2D/3D DNR   |                     |                |               |                   |
| S/N                     | >56dB   |                     |                |               |                   |
| IR Range                | Up to 30m (98ft) IR range   |                     |                |               |                   |
| Wavelength              | 850nm   |                     |                |               |                   |
| IR On/Off Control       | Auto/Manual   |                     |                |               |                   |
| Defog                   | Digital Defog   |                     |                |               |                   |
| WDR                     | 120dB   |                     |                |               |                   |
| <b>Video</b>            |   |                     |                |               |                   |
| Video Compression       | Ultra 265, H.265, H.264, MJPEG  |                     |                |               |                   |
| H.264 code profile      | Baseline profile, Main profile, High profile  |                     |                |               |                   |
| Frame Rate              | Main Stream: 5MP (2880*1620), Max 30fps;4MP (2560*1440), Max 30fps; 3MP (2304*1296), Max 30fps;1080P (1920*1080), Max 30fps;<br>Sub Stream: 720P (1280*720), Max 30fps; D1 (720*576), Max 30fps; 640*360,Max 30fps; 2CIF(704*288), Max30fps; CIF(352*288), Max 30fps; |                     |                |               |                   |
| Video Bit Rate          | 128 Kbps~16 Mbps  |                     |                |               |                   |
| 9:16 Corridor Mode      | Supported   |                     |                |               |                   |
| OSD                     | Up to 4 OSDs  |                     |                |               |                   |
| Privacy Mask            | Up to 4 areas   |                     |                |               |                   |
| ROI                     | Up to 8 areas   |                     |                |               |                   |
| Motion Detection        | Up to 4 areas   |                     |                |               |                   |
| <b>Image</b>            |   |                     |                |               |                   |
| White Balance           | Auto/Outdoor/Fine Tune/Sodium Lamp/Locked/Auto2   |                     |                |               |                   |
| Digital noise reduction | 2D/3D DNR   |                     |                |               |                   |
| Smart IR                | Supported   |                     |                |               |                   |
| Flip                    | Normal/Vertical/Horizontal/180°/90°Clockwise/90°Anti-clockwise  |                     |                |               |                   |
| Dewarping               | N/A   |                     |                |               |                   |
| HLC                     | Supported   |                     |                |               |                   |

|                        |   |
|------------------------|---|
| BLC                    | Supported   |
| <b>Smart</b>           |   |
| Behavior Detection     | (Cross line, intrusion)based on human body detection, motion detection, tampering alarm, audio detection                      |
| General Function       | Watermark, IP address filtering, access policy, ARP protection, RTSP authentication, user authentication, HTTP authentication |
| <b>Network</b>         |   |
| Protocols              | IPv4, IGMP, ICMP, ARP, TCP, UDP, DHCP, RTP, RTSP, RTCP, RTMP, DNS, DDNS, NTP, FTP, UPnP, HTTP, HTTPS, SMTP, SSL, 802.1x, SNMP |
| Compatible Integration | ONVIF (Profile S, Profile G, Profile T), API  |
| Client                 | EZStation<br>EZView<br>EZLive   |
| Web Browser            | Plug-in required live view: IE9+, Chrome 41 and below, Firefox 52 and below   |
|                        | Plug-in free live view: Chrome 57.0+, Firefox 58.0+, Edge 16+   |
| <b>Storage</b>         |   |
| Edge Storage           | Micro SD, up to 256 GB  |
| Network Storage        | ANR,NAS(NFS)  |
| <b>Interface</b>       |   |
| Network                | 10/100M Base-TX Ethernet  |
| Built-in Mic           | Supported   |
| <b>Certifications</b>  |   |
| Certifications         | UL: UL60950-1<br>FCC: FCC Part 15   |
| <b>General</b>         |   |
| Power                  | DC 12V±25%, PoE (IEEE 802.3af)  |
|                        | Power consumption: Max 4.5W   |
| Dimensions (Ø x H)     | Ø109 x 83mm (Ø4.3" x 3.3")  |
| Net Weight             | 0.36kg (0.79lb)   |
| Material               | Metal   |
| Working Environment    | -30°C ~ 60°C (-22°F ~ 140°F), Humidity: ≤95% RH (non-condensing)  |
| Storage Environment    | -30°C ~ 60°C (-22°F ~ 140°F), Humidity: ≤95% RH (non-condensing)  |
| Surge Protection       | 4KV   |
| Ingress Protection     | IP67  |
| Vandal Resistant       | IK10  |
| Reset Button           | N/A   |

## Dimensions

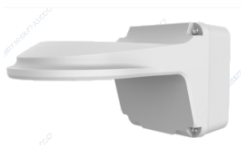


## Accessories

TR-JB03-G-IN



TR-JB07/WM03-G-IN



TR-WM03-D-IN



TR-UM06-E-IN



TR-UP06-IN



TR-A01-IN



TR-SE24-IN

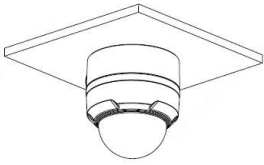
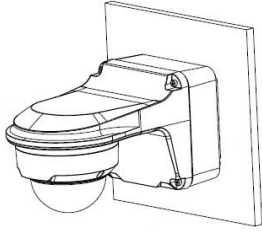
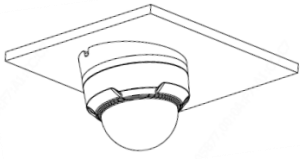
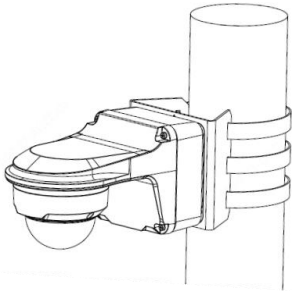
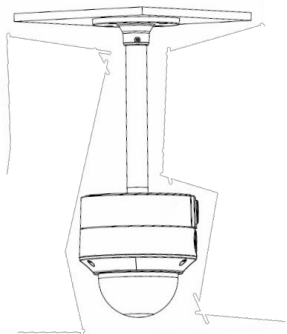


TR-SE24-A-IN



TR-CM24-IN



| Junction Mount  | Pole Mount  |
|---|---|
| TR-JB03-G-IN  | TR-JB07/WM03-G-IN   |
|    |  |
| TR-UM06-E-IN  | TR-JB07/WM03-G-IN+TR-UP06-IN  |
|    |   |
| TR-CM24-IN+TR-JB03-G-IN   |   |
|  |   |

**Zhejiang Uniview Technologies Co., Ltd.**

Building No.10, Wanlun Science Park, Jiangling Road 88, Binjiang District, Hangzhou, Zhejiang, China (310051)

 Email: [overseasbusiness@uniview.com](mailto:overseasbusiness@uniview.com); [globalsupport@uniview.com](mailto:globalsupport@uniview.com)
<http://www.uniview.com>

©2020 Zhejiang Uniview Technologies Co., Ltd. All rights reserved.

\*Product specifications and availability are subject to change without notice.