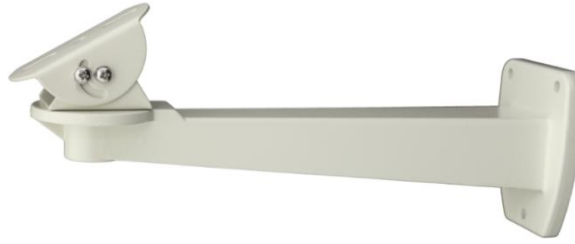


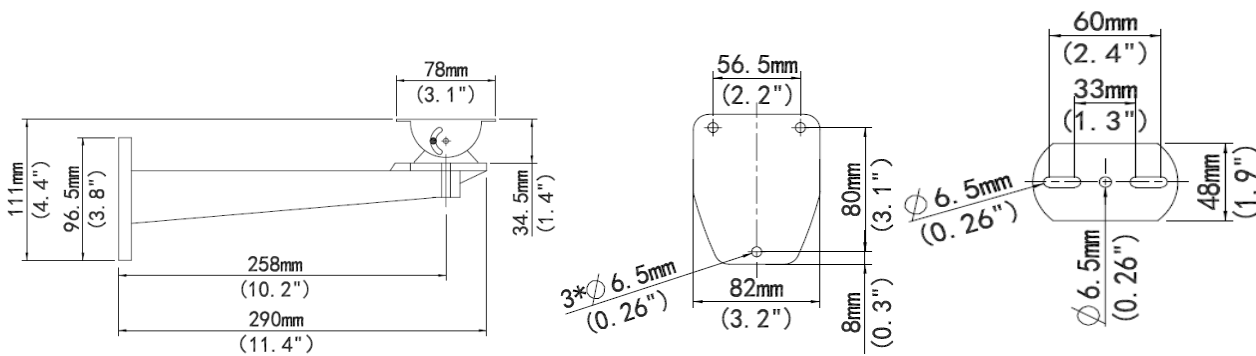
TR-WM06-B-IN Outdoor Wall Mount



Specifications

| | |
|-----------------------|---|
| Bracket | TR-WM06-B-IN |
| Application | Outdoor, wall installation for box camera housing |
| Dimensions(L × W × H) | 290mmx82mmx111mm (11.4"x3.2"x4.4") |
| Weight | 0.6kg(1.3lb) |
| Bearable Load | 15kg(33.1lb) |
| Material | Aluminum alloy |
| Adjustable Range | Horizontal: 360° ; Vertical: 90° |

Dimensions



Zhejiang Uniview Technologies Co.,Ltd.

South Tower, Building 10, Wanlun Science Park, 88 Jiangling Road, Hangzhou, P.R.China 310051

Email: overseasbusiness@uniview.com; globalsupport@uniview.com

<http://www.uniview.com>

©2015 Zhejiang Uniview Technologies Co.,Ltd. All rights reserved.

*Product specifications and availability are subject to change without notice.