

4MP LightHunter Deep Learning Bullet Network Camera

IPC264SA-DZK



Key Features

Optics

- 1/1.8", Powered by lighthunter
- SmartIR, up to 50m (164 ft) IR distance
- Up to 120 dB Optical WDR (Wide Dynamic Range)
- Adaptive fogging

Compression

- Ultra 265, H.265, H.264, MJPEG
- Triple streams
- 2688*1520@30fps in the main stream
- ROI (Region of Interest)
- 9:16 corridor mode

Network

- ONVIF Conformance

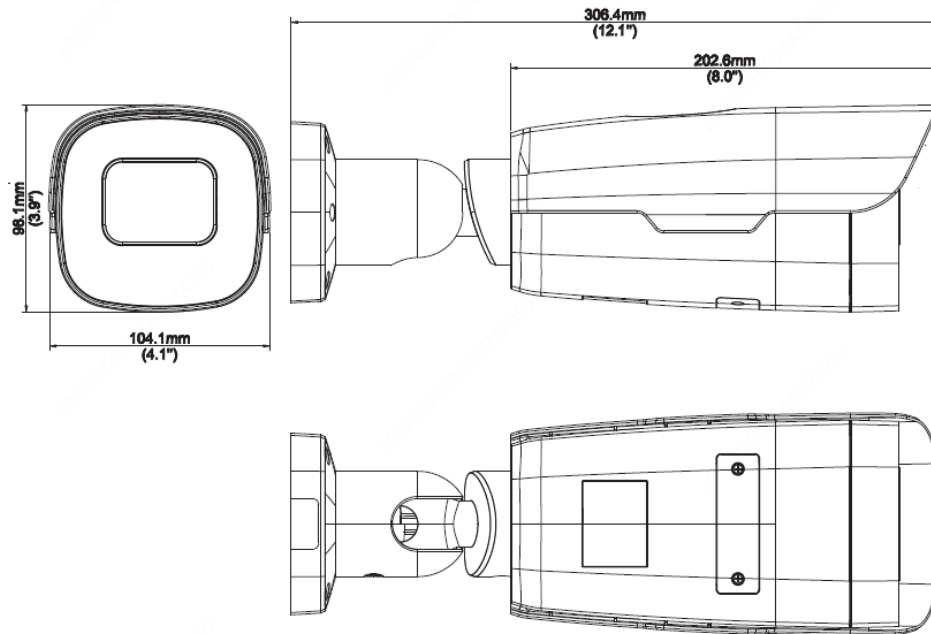
Structure

- DC12V or AC24V or PoE power supply
- Wide voltage range of $\pm 25\%$ in AC, $-10\% \sim +25\%$ in DC
- Micro SD, up to 256 GB
- Alarm 2 in and 1 out, Audio 1 in and 1 out
- IP67 ingress protection
- IK10 vandal resistant

Specifications

IPC264SA-DZK					
Camera					
Sensor	1/1.8", 4.0 megapixel, progressive scan, CMOS				
Lens	2.8-12mm@F1.2, AF automatic focusing and motorized zoom lens				
Iris	Auto aperture				
DORI Distance	Lens (mm)	Detect (m)	Observe (m)	Recognize (m)	Identify (m)
	2.8-12	42-180	16.8-72	8.4-36	4.2-18
Angle of View (H)	35.6°~107.9°				
Angle of View (V)	20.4°~75.4°				
Angle of View (O)	43.8°~140.3°				
Shutter	Auto/Manual, 1 ~ 1/100000s				
Min. Illumination	Colour:0.0005lux (F1.2, AGC ON) 0 lux with IR				
WDR	120dB				
Day/Night	IR-cut filter with auto switch (ICR)				
Video					
Video Compression	Ultra 265,H.265,H.264,MJPEG				
Frame Rate	4MP(2688*1520),Max 30fps				
9:16 corridor mode	Supported				
ROI	Supported				
Video stream	Triple streams				
OSD	Up to 8 OSDs				
Privacy Mask	Supported				
Smart					
General Function	Watermark, IP Address Filtering, Tampering Alarm, Alarm input, Alarm output, Access Policy, ARP Protection, RTSP Authentication, User Authentication				
Audio					
Audio Compression	G.711U,G.711A				
Voice intercom	Supported				
Sampling Rate	8KHZ				
Storage					
Edge Storage	Micro SD, up to 256 GB				
Network					
Protocols	L2TP,IPv4,IGMP,ICMP,ARP,TCP,UDP,DHCP,PPPoE,RTP,RTSP,DNS,DDNS,NTP,FTP,UPnP,HTTP,SNMP,SIP,802.1X,HTTPS				
Compatible Integration	ONVIF,IMOS				
Interface					
Audio I/O	Audio cable				
	1/1				
Alarm I/O	2/1				
Network	1 x RJ45 10M/100M Base-TX Ethernet				
Serial Port	1 RS485				
General					
Power	AC24V±25%, DC12V(-10%~+25%), PoE(IEEE802.3at)				
	Power consumption: 13.3W				
	Support reverse polarity protection, Overvoltage and overcurrent protection				
Dimensions (∅ x H)	Φ306.4x104.1x98.4mm(Φ12.1"x4.1"x3.9")				
Weight	1.65kg(3.64lb)				
Working Environment	-30°C~60°C(-22°F ~ 140°F), ≤95%RH				
IR	50m (164ft)				
Vandal Resistant	IK10				
Ingress Protection	IP67				

Dimensions



Zhejiang Uniview Technologies Co., Ltd.

Building No.10, Wanlun Science Park, Jiangling Road 88, Binjiang District, Hangzhou, Zhejiang, China (310051)

Email: overseasbusiness@uniview.com; globalsupport@uniview.com

<http://www.uniview.com>

©2019 Zhejiang Uniview Technologies Co., Ltd. All rights reserved.

*Product specifications and availability are subject to change without notice.