

2MP 44x Lighthunter IR Network Positioning System

IPC7622ER-X44U



Key Features

Optics

- 44X Optical Zoom(5~220mm) with wider and farther
- Starlight illumination
- Support Optical defog, Self-adaptive defog
- Day/night functionality
- Smart IR , up to 300 m (984 ft) IR distance
- Gyroscope stabilization for stable picture
- Up to 120 dB Optical WDR(Wide Dynamic Range)
- Optical glass window with higher light transmittance
- IR anti-reflection window to increase the infrared transmittance
- 2D/3D DNR (Digital Noise Reduction)

Compression

- Ultra 265, H.265, H.264, MJPEG
- Support 1080P@60fps, which has the smoother motion image
- Triple streams
- ROI (Region of Interest)

Network

- ONVIF Conformance

Structure

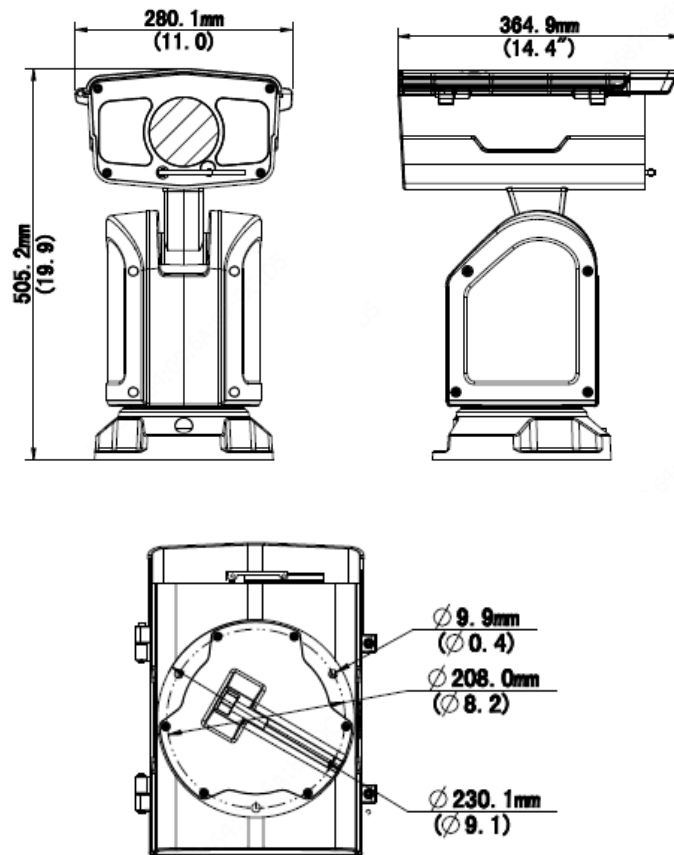
- Intelligent temperature control technology
- Intelligent Wiper function
- Embedded gradienter to ensure the horizontal position while installation
- Wide temperature range: -40°C to 70°C (-40°F to 158°F)
- Power supply: DC 48V±25%,DC 24V±15%(DC20V~DC60V)/ DC-48V±25%,DC-24V±15%(DC-20V~DC-60V)/ AC 24V±25%
- Support 1/1 audio in/out, 7/2 alarm in/out ,1 Serial port RS485,1 BNC
- Support up to 256G Micro SD card
- Ingress Protection: IP66

Specifications

IPC7622ER-X44U					
Camera					
Sensor	1/2.8" progressive scan, 2.0megapixel, CMOS				
Lens	5~220mm , AF automatic focusing and motorized zoom lens				
Digital Zoom	16				
Optical Zoom	44				
DORI Distance	Lens	Detect(m)	Observe(m)	Recognize(m)	Identify(m)
	5mm	77.6(254.5ft)	31.0(101.7ft)	15.5(50.8ft)	7.8(25.6ft)
	220mm	3413.8(11197.3ft)	1365.5(4478.8ft)	682.8(2239.6ft)	341.4(1119.8ft)
Angle of View (H)	60.6 ~ 1.83°				
Angle of View (V)	34.8°~0.8°				
Angle of View (O)	75.7°~1.8°				
Shutter	Auto/Manual, shutter time: 1s ~ 1/100000 s				
Minimum Illumination	0.0005lux (F1.2, AGC ON, Colour), 0 lux with IR				
Iris	F1.2 ~ F3.5				
Day/Night	IR-cut filter with auto switch(ICR)				
Digital noise reduction	2D/3D DNR				
S/N	>52 dB				
Defog	Optical Defog				
WDR	120dB				
IR Distance	300m(984ft)				
Video					
Video Compression	Ultra 265, H.265, H.264, MJPEG				
Frame Rate	Main Stream:2MP (1920×1080)@60fps Sub Stream:2MP(1920×1080)@60fps; Third Stream:D1(720×576)@60fps				
HLC	Supported				
BLC	Supported				

Gyroscope	Supported
OSD	Up to 8 OSDs
Privacy Mask	Up to 24 areas
ROI	Up to 8 areas
Motion Detection	Up to 4 areas
Smart	
General Function	Watermark, IP Address Filtering, Tampering Alarm, Alarm input, Alarm output, Access Policy, ARP Protection, RTSP Authentication, User Authentication
Audio	
Audio Compression	G.711A, G.711U
Two way audio	Supported
Storage	
Edge Storage	Micro SD, up to 256 GB
Network Storage	ANR
Network	
Protocols	IPv4、HTTP、HTTPS、SSL/TLS、FTP、SMTP、SNMPV1/V2/V3(MIB-II)、DNS、NTP、RTSP、RTP、TCP、UDP、IGMP、RTCP、ICMP、DHCP、ARP
Compatible Integration	ONVIF(Profile S, Profile G, Profile T),API
Pan & Tilt	
Pan Range	360°
Pan Speed	0.1°/s ~140°/s
	Preset speed: 140°/s
Tilt Range	-90° ~ +45°
Tilt Speed	0.1° ~50°/s
	Preset speed:50°/s
Number of Presets	1024
Patrol	Preset patrol, route patrol, recorded patrol
Power-off memory	Supported
Keep watch	Supported
Interface	
Audio I/O	1 Input: impedance 35 kΩ; amplitude 2 V [p-p]
	1 Output: impedance 600 Ω; amplitude 2 V [p-p]
Alarm I/O	7/ 2
Serial Port	1 RS485
Network	10M/100M/1000M Base-TX Ethernet
Video Output	1 BNC, impedance 75 Ω; amplitude 1 V [p-p]
General	
Power	DC 48V±25%/DC 24V±15% (DC20V~DC60V) DC-48V±25%/DC-24V±15%(DC-20V~DC-60V), AC 24V±25%
	Power consumption: Max 87.8W
Dimensions (∅ x H)	280.1mmx364.9mm x505.2mm (∅11.0" x 14.4" x19.9")
Weight	13.98kg(30.8lb)
Working Environment	-40°C ~ +70°C (-40°F ~ 158°F), Humidity : ≤95% RH(non-condensing)
Ingress Protection	IP66

Dimensions



Zhejiang Uniview Technologies Co., Ltd.

South Tower, Building 10, Wanlun Science Park, 88 Jiangling Road, Hangzhou, P.R.China 310051

Email: overseasbusiness@uniview.com; globalsupport@uniview.com

<http://www.uniview.com>

©2019 Zhejiang Uniview Technologies Co., Ltd. All rights reserved.

*Product specifications and availability are subject to change without notice.